

iStarUSA™

**IS Red Dot
Power Supply**

Drawing Book

Table of Contents

1U Redundant

IS-400RH1UP	-----	3
IS-1500R4H1UP	-----	4
IS-1800R4H1UP	-----	4
IS-2000R4H1UP	-----	4

2U Redundant

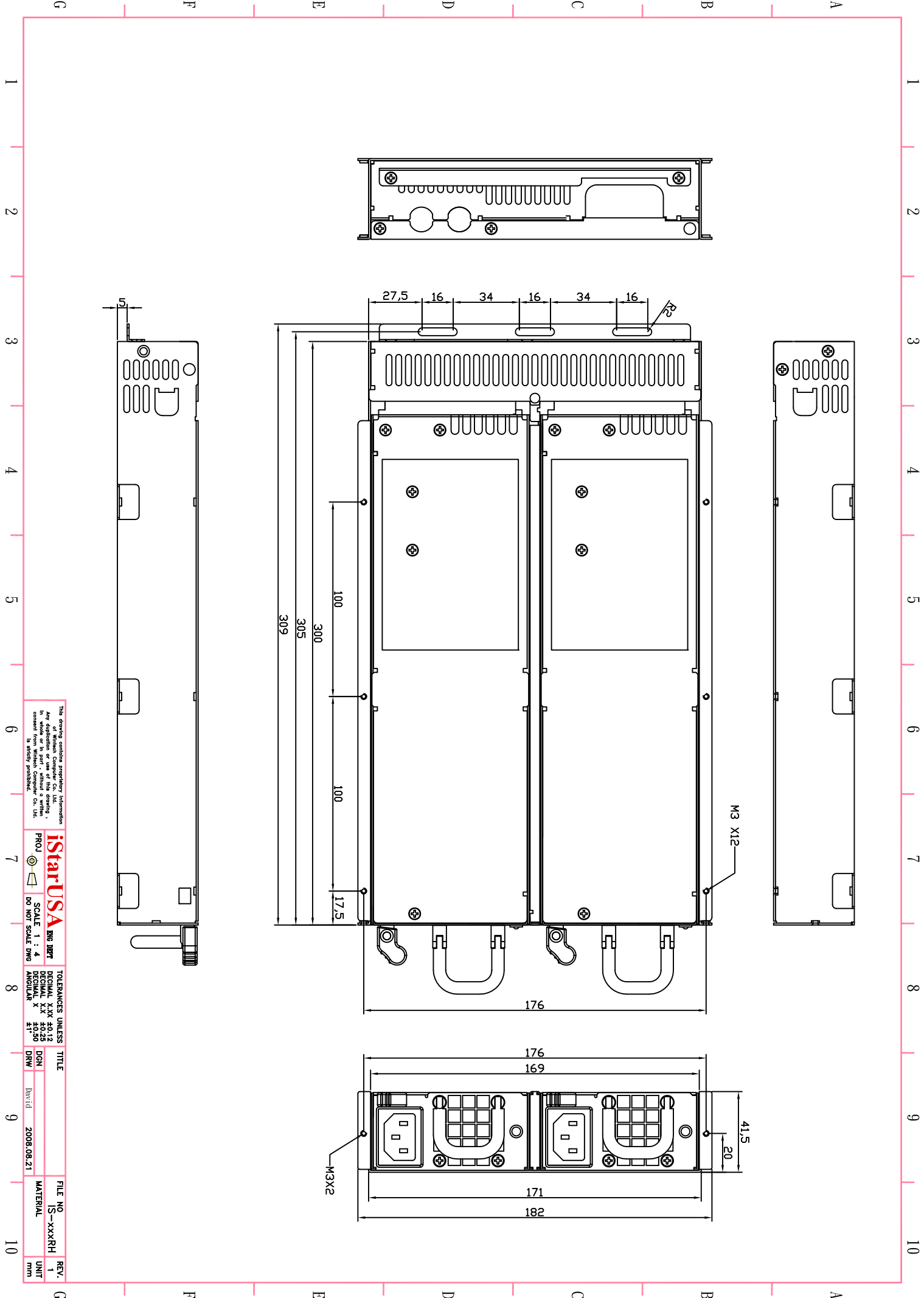
IS-350R2UP	-----	5
IS-400R2UP	-----	5
IS-460R2UP	-----	5
IS-500S2UP	-----	6
IS-600S2UP	-----	6
IS-700S2UP	-----	6

3U Redundant

IS-700R3KP	-----	7
IS-800R3KP	-----	7

Mini Redundant

IS-385R8P	-----	8
IS-485R8P	-----	8
IS-550R8P	-----	8
IS-700R3NP	-----	9
IS-800R3NP	-----	9



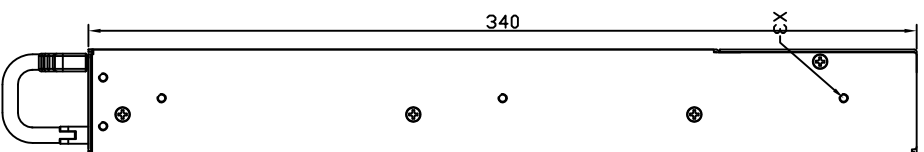
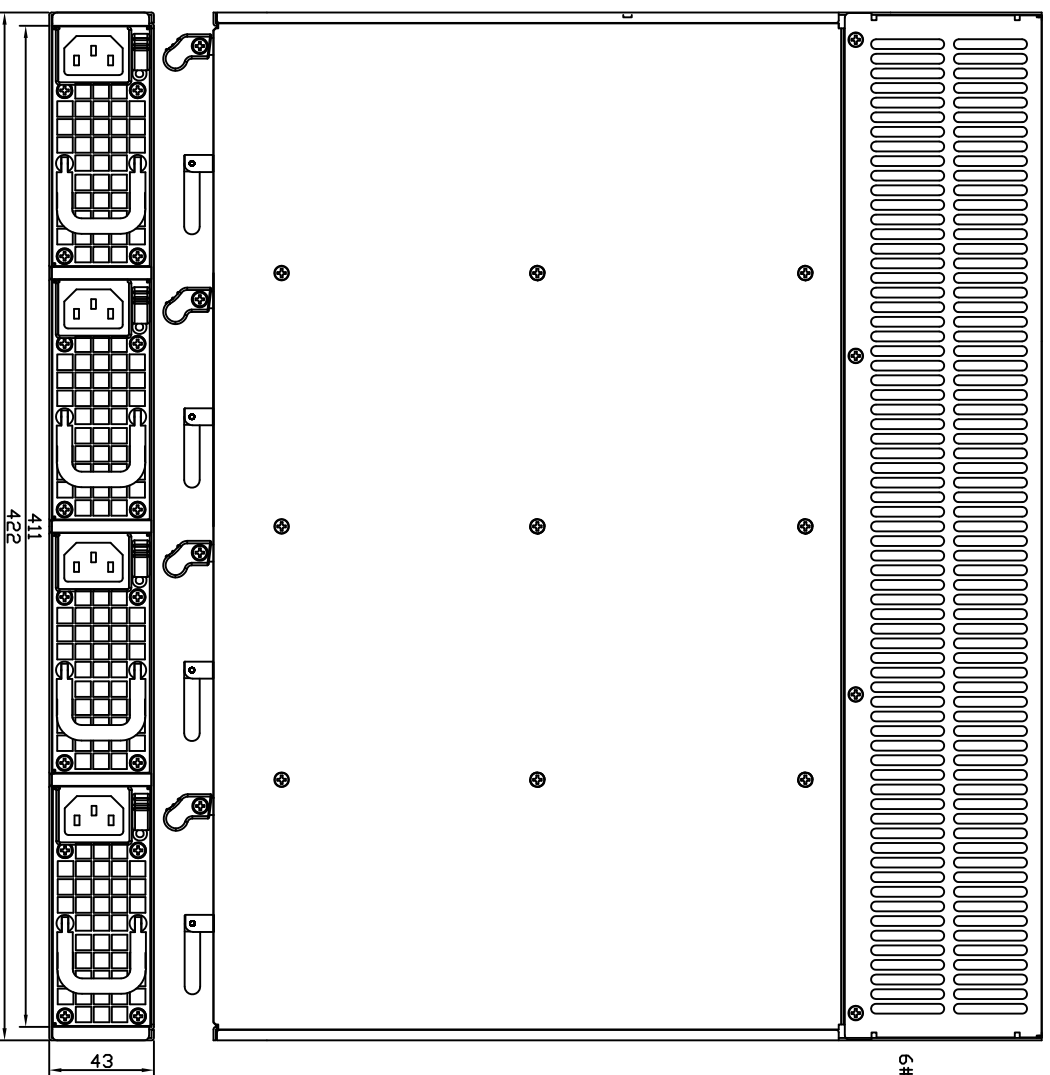
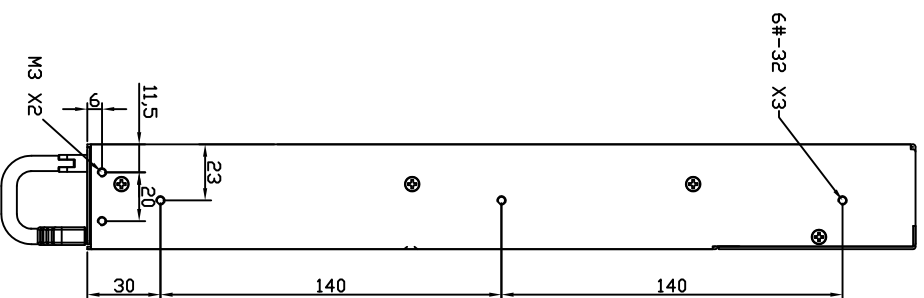
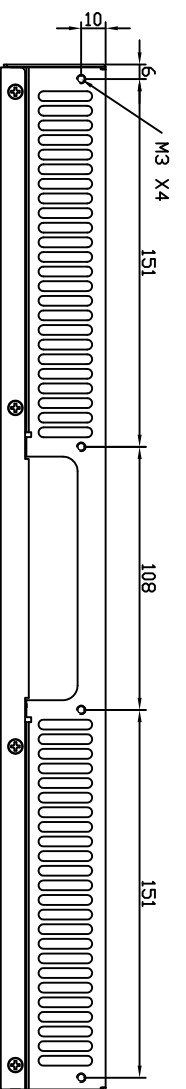
The drawing contains proprietary information
 Any duplication or use of this drawing,
 in whole or in part, without a written
 consent in writing is strictly prohibited.

StarUSA PROJ
 SCALE 1 : 4
 DO NOT SCALE DIMS

TOLERANCES UNLESS
 DECIMAL .XX ±0.12
 FRACTIONAL ±0.25
 ANGULAR ±1.0°

FILE NO. IS-XXXXRH
 MATERIAL
 REV. 1
 UNIT mm

DATE 2008.08.21
 DWN
 DRW



G
F
E
D
C
B
A
1
2
3
4
5
6
7
8
9
10

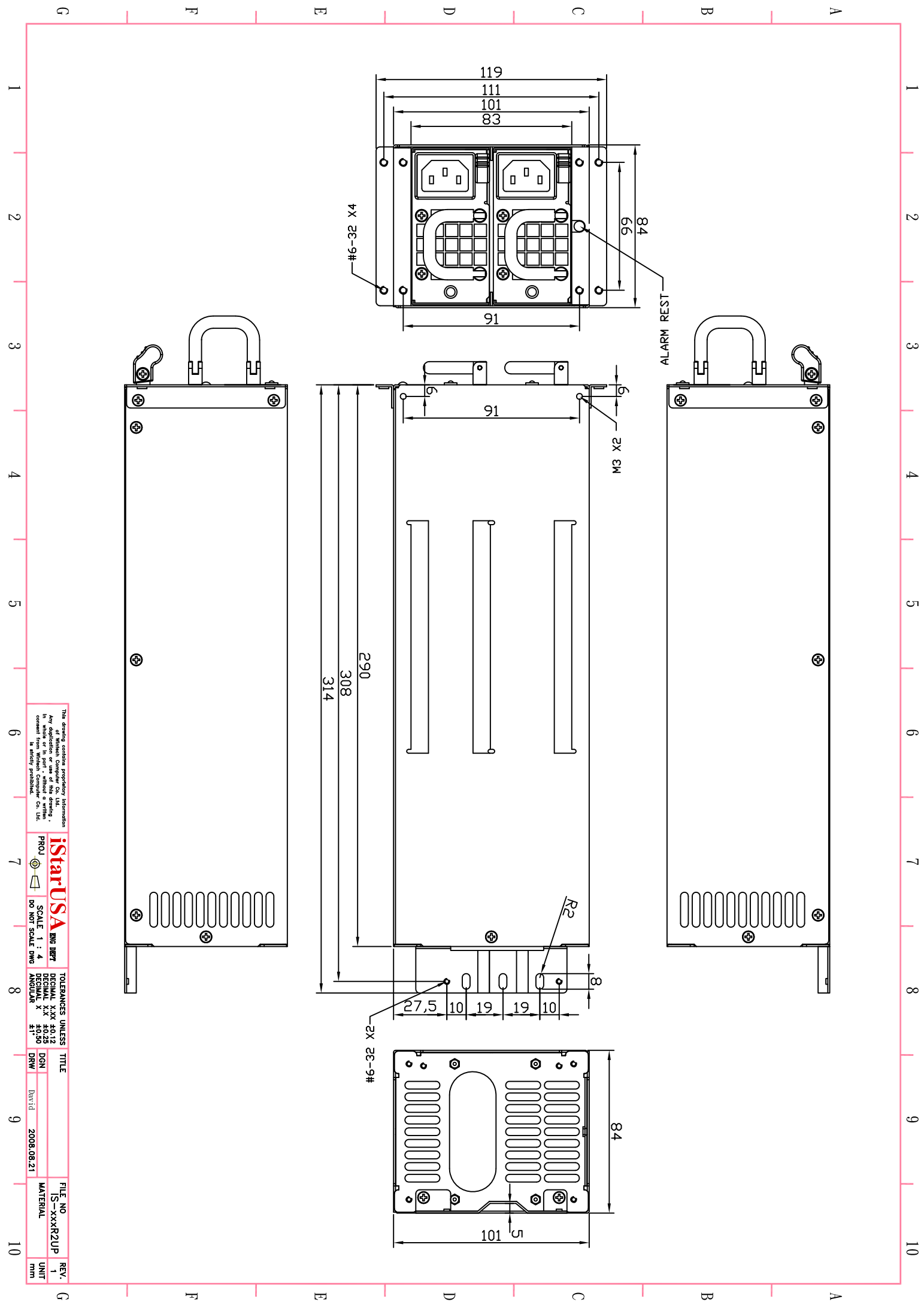
This drawing contains proprietary information of WinTech Computer Co. Ltd. Any reproduction or use without a written consent from WinTech Computer Co. Ltd. is strictly prohibited.

iStarUSA ENG DEPT
PROU
SCALE 1 : 4
DO NOT SCALE DIMS

TOLERANCES UNLESS SPECIFIED
DECIMAL XX.XX ±0.12
DECIMAL X.X ±0.25
ANGULAR X ±1°

REV.	TITLE	FILE NO.
1	IS-xxxRH1UP	
	MATERIAL	
	UNIT	
	mm	

DSN
DRW
David
2008.08.21



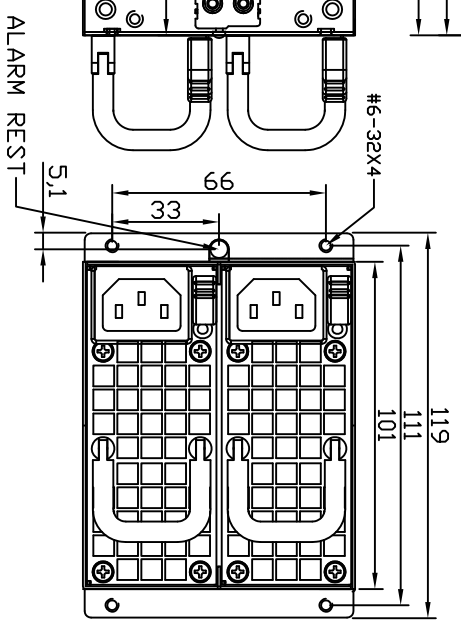
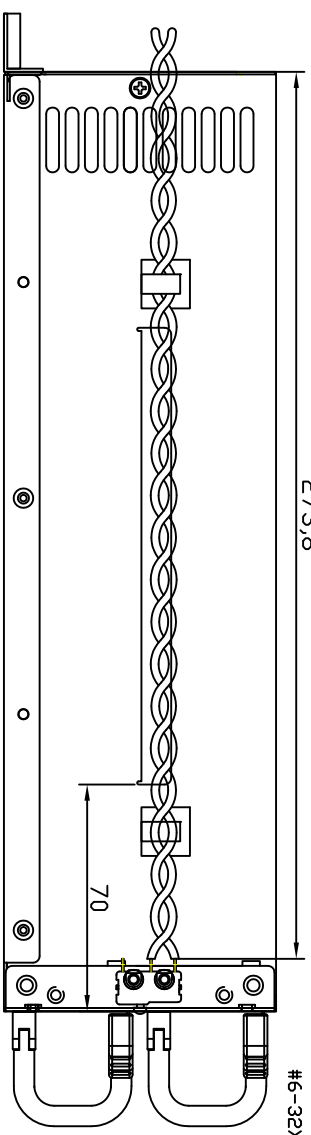
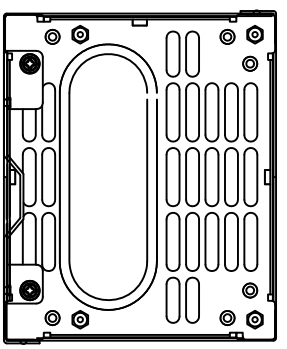
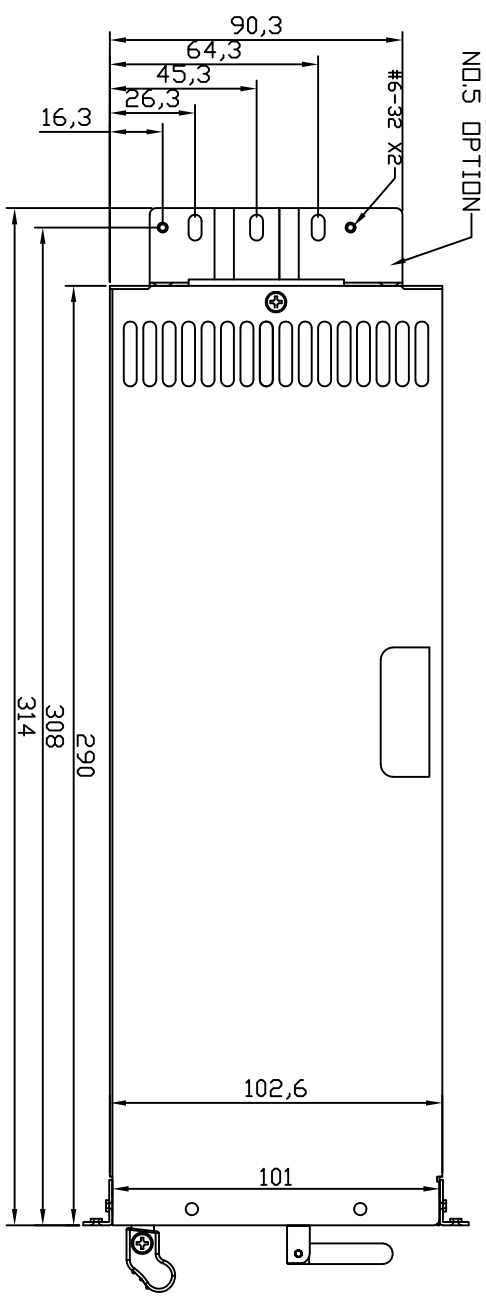
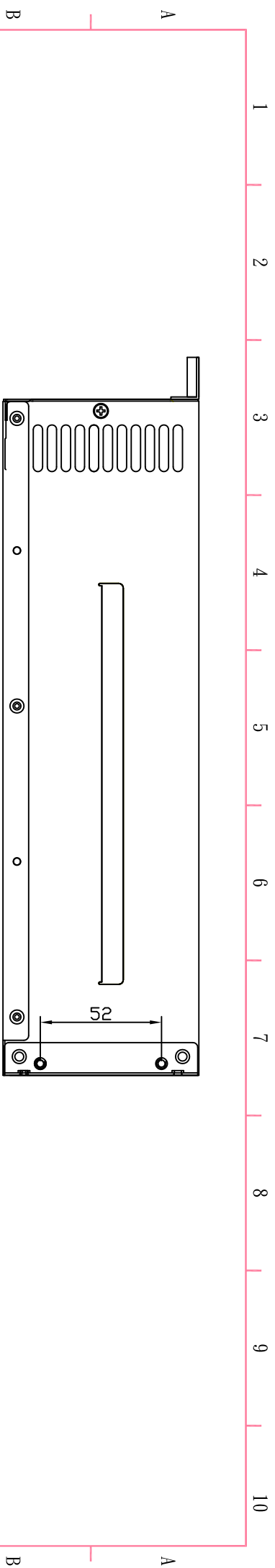
This drawing contains proprietary information of Wintech Computer Co., Ltd. Any duplication or use of this drawing without the written consent of Wintech Computer Co., Ltd. is strictly prohibited.

istartUSA
 PROUDLY
 SCALE 1 : 4
 DO NOT SCALE DWG

TOLERANCES UNLESS TITLE
 DECIMAL X.XX ±0.25
 DECIMAL X.X ±0.50
 ANGULAR X ±1°

DATE: 2008.08.21

FILE NO.	IS-XXXR2UP
MATERIAL	
REV.	1
UNIT	mm



1	2	3	4	5	6	7	8	9	10
A	B	C	D	E	F	G			

This drawing contains proprietary information of iStar-USA. Any duplication or use of this drawing in whole or in part, without a written consent, is strictly prohibited.

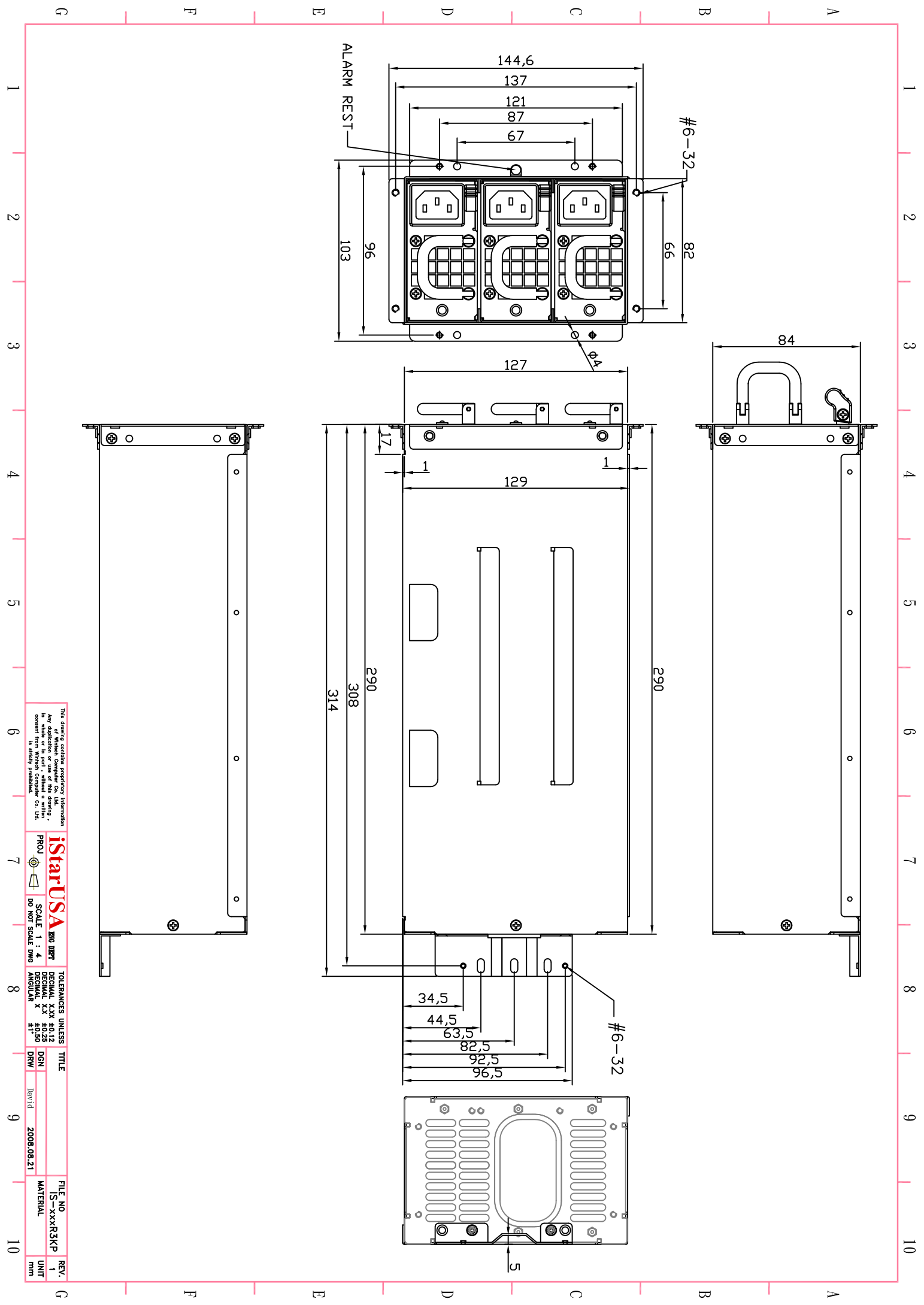
iStar-USA PROU

SCALE 1 : 4
DO NOT SCALE DWG

TOLERANCES UNLESS SPECIFIED:
 DECIMAL XX.XX ±0.12
 DECIMAL X.X ±0.50
 ANGULAR X ±1°

FILE NO: IS-XXXXSUP
 MATERIAL:
 REV. 1
 UNIT mm

DATE: 2008.08.21
 DRAWN BY: David



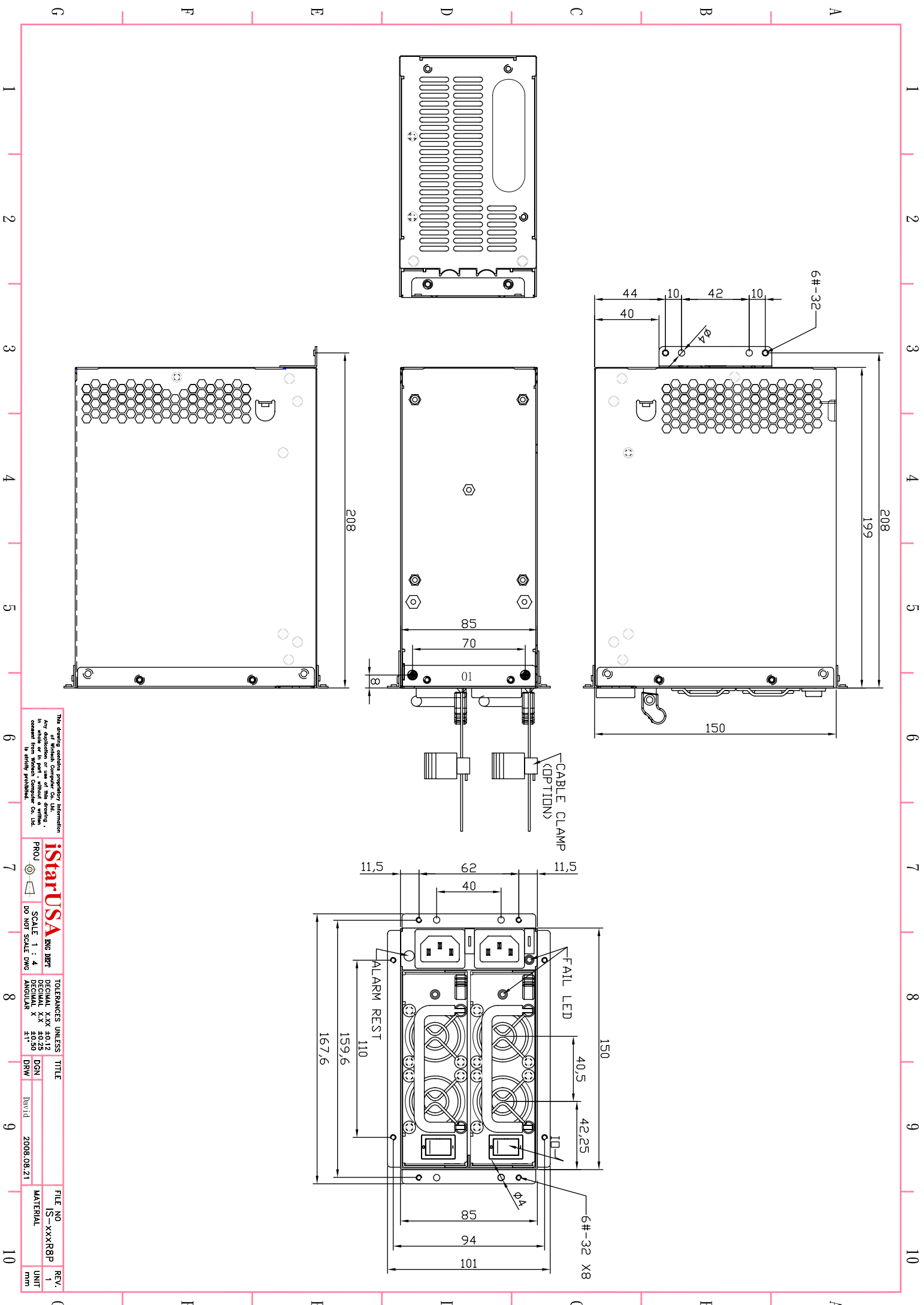
This drawing contains proprietary information. Any duplication or use of this drawing, without the written consent of iStarUSA, is strictly prohibited.

iStarUSA
 PROU
 SCALE 1 : 4
 DO NOT SCALE DIMS

TOLERANCES UNLESS SPECIFIED:
 DECIMAL XXX ±0.12
 DECIMAL XX ±0.50
 ANGULAR X ±1°

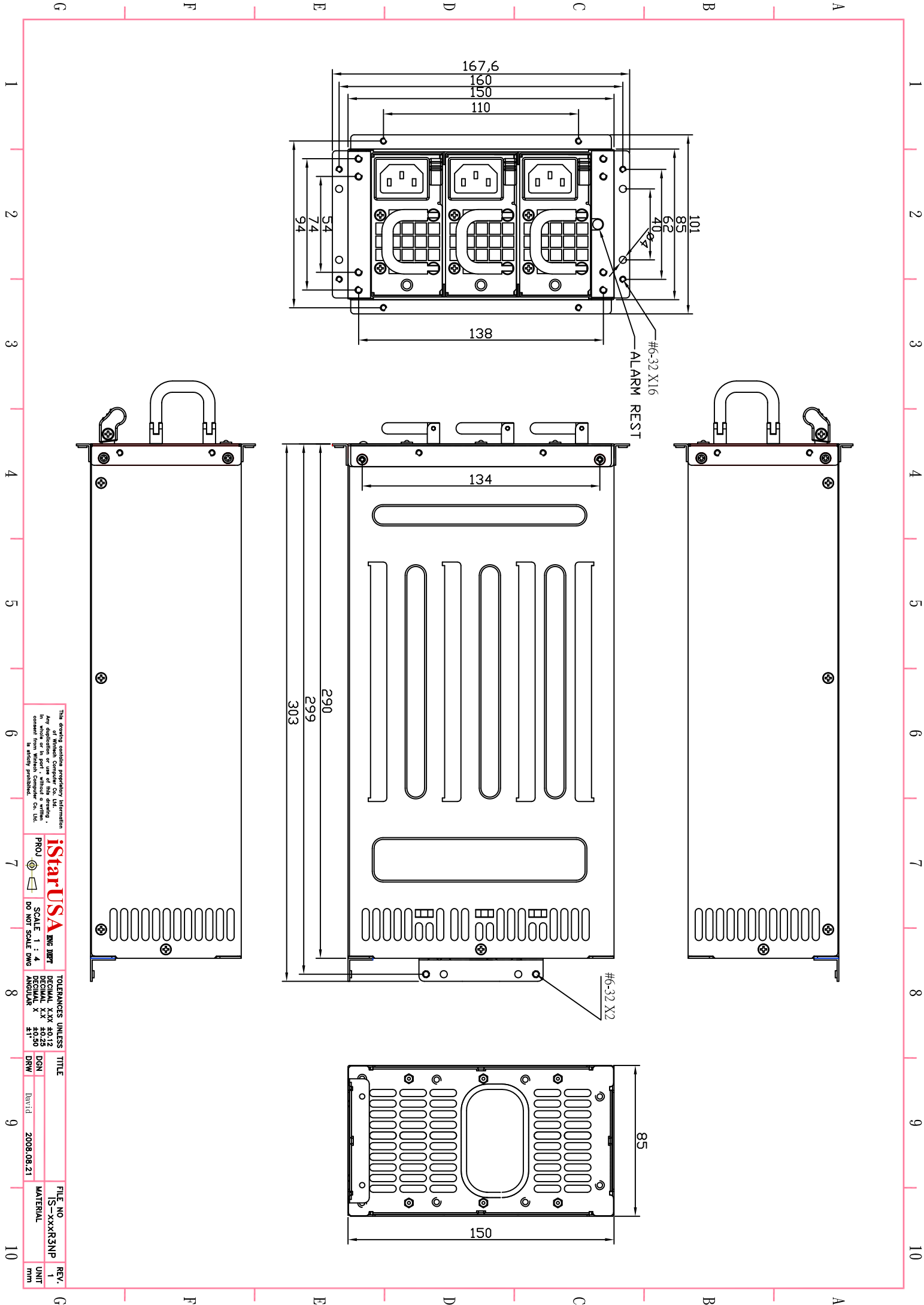
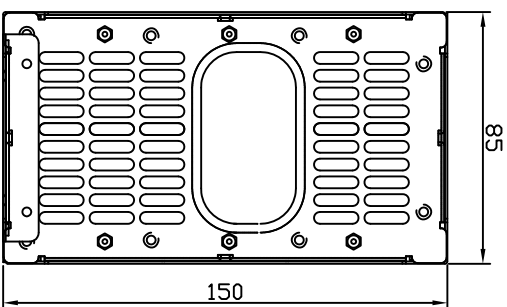
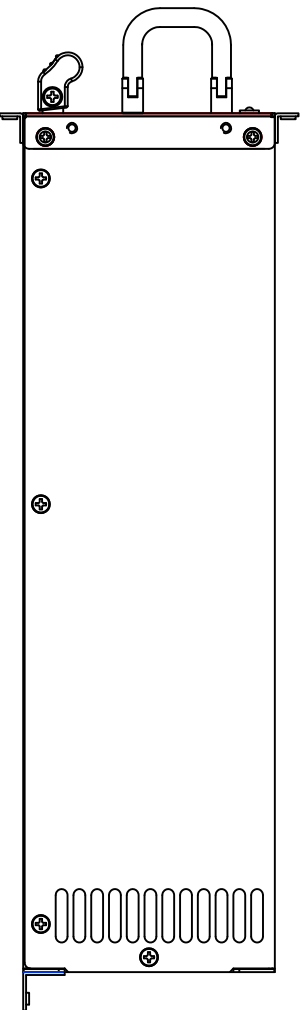
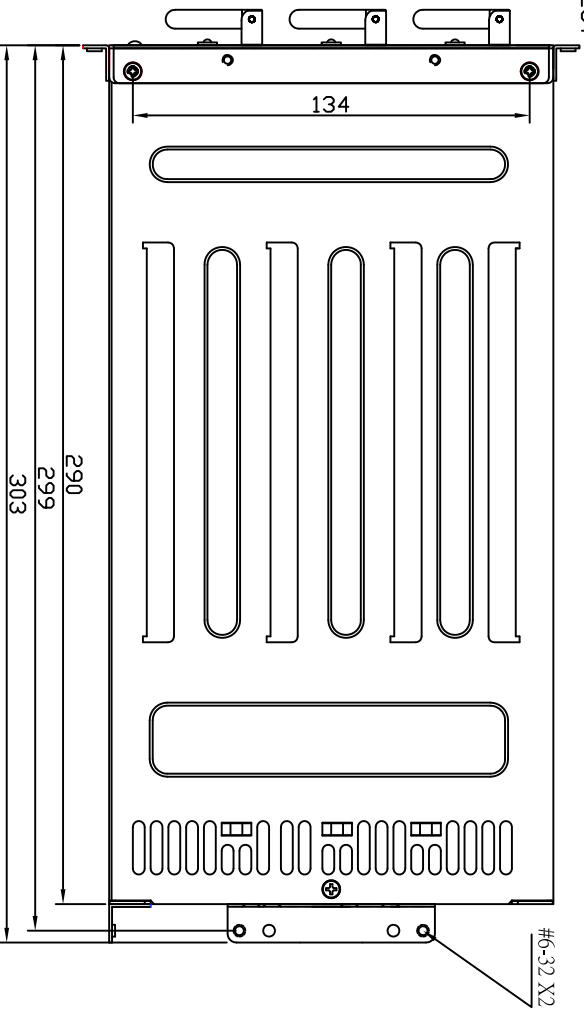
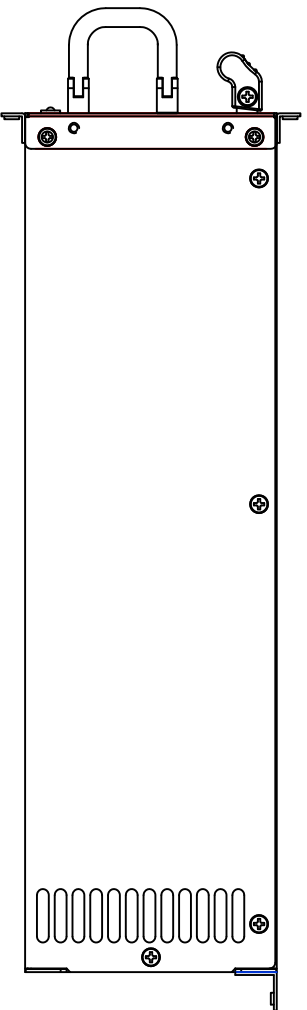
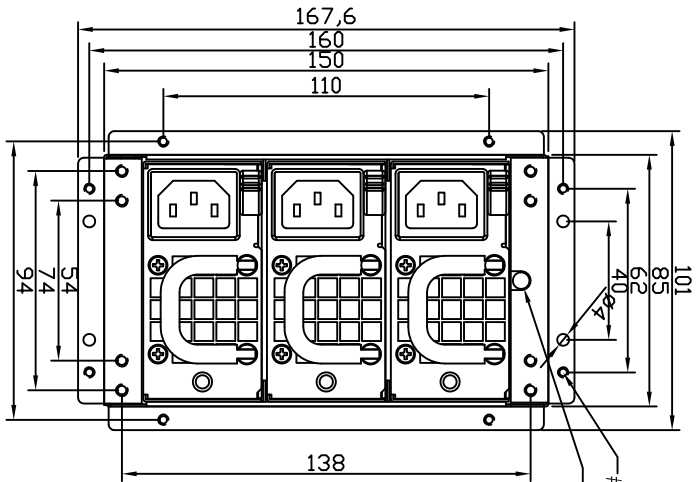
FILE NO	TITLE	REV.
IS-XXXR3KP		1
MATERIAL		UNIT
		mm

DRW DGN
 David
 2008.08.21



This drawing contains proprietary information. Any disclosure or use of this drawing, in whole or in part, without a written consent from Intellic Computer Co. Ltd. is strictly prohibited.

StarUSA ENG DEPT		TOLERANCES UNLESS TITLE	
PROJ	SCALE 1 : 4	DECIMAL XX	40.12
DO NOT SCALE DIMS	ANGLES	MM	40.25
		MM	40.50
		MM	41
FILE NO	IS-XXXXR8P	REV.	1
MATERIAL		UNIT	mm
DATE	2008.08.21		



This drawing contains proprietary information
 in whole or in part. Without a written
 consent, its disclosure, reproduction,
 or use is strictly prohibited.

iStar-USA
 PROUDLY
 SCALE 1 : 4
 DO NOT SCALE DWG

TOLERANCES UNLESS
 DECIMAL .XX ±0.12
 DECIMAL .X ±0.25
 ANGULAR ±1°

REV.	UNIT	FILE NO.	TITLE
1	mm	IS-XXXXR3NP	
		MATERIAL	
		DRW	David 2008.08.21