

BPU-230SATA

2 to 3 SATA II Raid Back-Plane



*These three colors belongs to BPU-230-SA

INTRODUCTION

Create more space for hard drive with hot-swap capability, BPU-230SATA supports Raid 1/0/1+0/5 configuration for high performance or redundancy data application. Aluminum construction provides light weight but strong stability and extra 80mm fan keep hard drive at maximum performance.

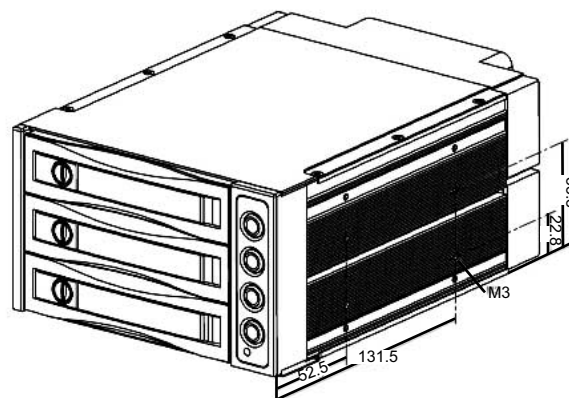
FEATURES

- Ⓐ Heavy-Duty Aluminum with Advanced Structure Compact Design
- Ⓑ Support Plug & Play and Hot-Swappable Tray
- Ⓒ SATA I or II Compatible (Transfer rate up to 3.0 Gbp/s)
- Ⓓ 8cm Fan Provides Excellent Air Ventilation & Heat Sink
- Ⓔ Power Control Switch, Sensor, Alarm & Reset
- Ⓕ Built-in LED for Monitoring P/S and Temperature Overheat
- Ⓖ Safety Tri-angle Lock for HDD
- Ⓗ SATA 15 Pin & 4 Pin Power Connectors
- Ⓘ Patent Balance Handle - No Skew In/Out
- Ⓙ RoHS Compliant



SPECIFICATION

Model Number	BPU-230SATA
RoHS Compliance Version	Yes
Standard Drive Bays	5.25" Drive: 2
Cooling Fan	1 x 80mm
Interface	SATA 2.0
Materials	All Aluminum Design with Conductive Dissipation Grooves
Color	Black
Cables	SATA Cable Included (3pcs)
Weight	10.0lbs
Dimensions (WxHxD)	146 x 126 x 202mm



BPU-340SATA

3 to 4 SATAII Raid Back-Plane



*These three colors belongs to BPU-340-SA

INTRODUCTION

High level Raid and high availability storage in compact design, BPU-340SATA add extra storage and hot-swap capability to satisfy any application needs. Aluminum body and extra 80mm cooling fan subsystem complete a high end data storage server or workstation.

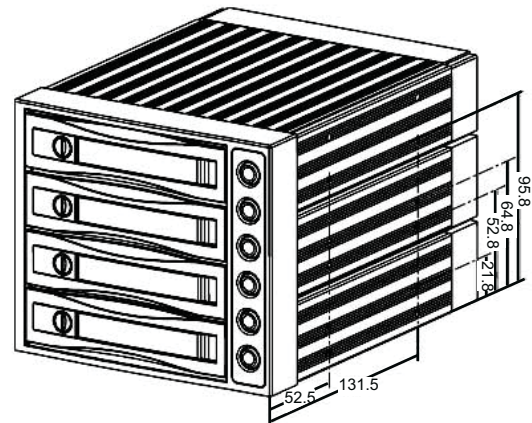
FEATURES

- Ⓐ Heavy-Duty Aluminum with Advanced Structure Compact Design
- Ⓑ Support Plug & Play and Hot-Swappable Tray
- Ⓒ SATA I or II Compatible (Transfer rate up to 3.0 Gbp/s)
- Ⓓ 8cm Fan Provides Excellent Air Ventilation & Heat Sink
- Ⓔ Power Control Switch, Sensor, Alarm & Reset
- Ⓕ Built-in LED for Monitoring P/S and Temperature Overheat
- Ⓖ Safety Tri-angle Lock for HDD
- Ⓗ SATA 15 Pin & 4 Pin Power Connectors
- Ⓘ Patent Balance Handle - No Skew In/Out
- ⓵ RoHS Compliant



SPECIFICATION

Model Number	BPU-340SATA
RoHS Compliance Version	Yes
Standard Drive Bays	5.25" Drive: 3
Cooling Fan	1 x 80mm
Interface	SATAII Hot-Swap Capable
Materials	All Aluminum Design with Conductive Dissipation Grooves
Color	Black
Cables	SATA Cable Included (4pcs)
Weight	10.0lbs
Dimensions (WxHxD)	146 x 126 x 202mm



BPU-350SATA

3 to 5 SATA II Raid Back-Plane



*These three colors belongs to BPU-350-SA

INTRODUCTION

High level Raid and high availability storage in compact design, BPU-350SATA add extra storage and hot-swap capability to satisfy any application needs. The BPU is constructed of aluminum material that provides best heat dissipation required for high performance SATA drives, is designed with excellent front to back vent airflow. The BPU series is an ideal solution for internal server RAID and JBOD applications. Aluminum body and extra 80mm cooling fan subsystem complete a high end data storage server or workstation.

FEATURES

- A Plug & Play
- B Support Hot-Swap, RAID0/1/5
- C All Aluminum Design with Conductive Dissipation Grooves
- D The Safety Tri-angle Lock Safeguards the Hard Drives
- E Super Air Ventilation & Heat Sink with 80mm Fan
- F Patent Balance Handle-No Skew In/Out
- G Power Control, Sensor & Alarm

SPECIFICATION

Model Number	BPU-350SATA
RoHS Compliance Version	Yes
Standard Drive Bays	5.25" Drive: 3
Cooling Fan	1 x 80mm
Interface	SATAII Hot-Swap Capable
Power Connector	Power SATA 15pin x 2, 4pin x 3
Fan Failure Sensor	Buzzer Alarm (3Stage) Over-heating Alarm (50/60/65)
Materials	All Aluminum Design with Conductive Dissipation Grooves
Color	Black
Cables	SATA Cable Included (5pcs)
Weight	10.0lbs
Dimensions (WxHxD)	146 x 146 x 206mm

