

# D-200-PFS

## 2U Compact Stylish Rackmount Chassis

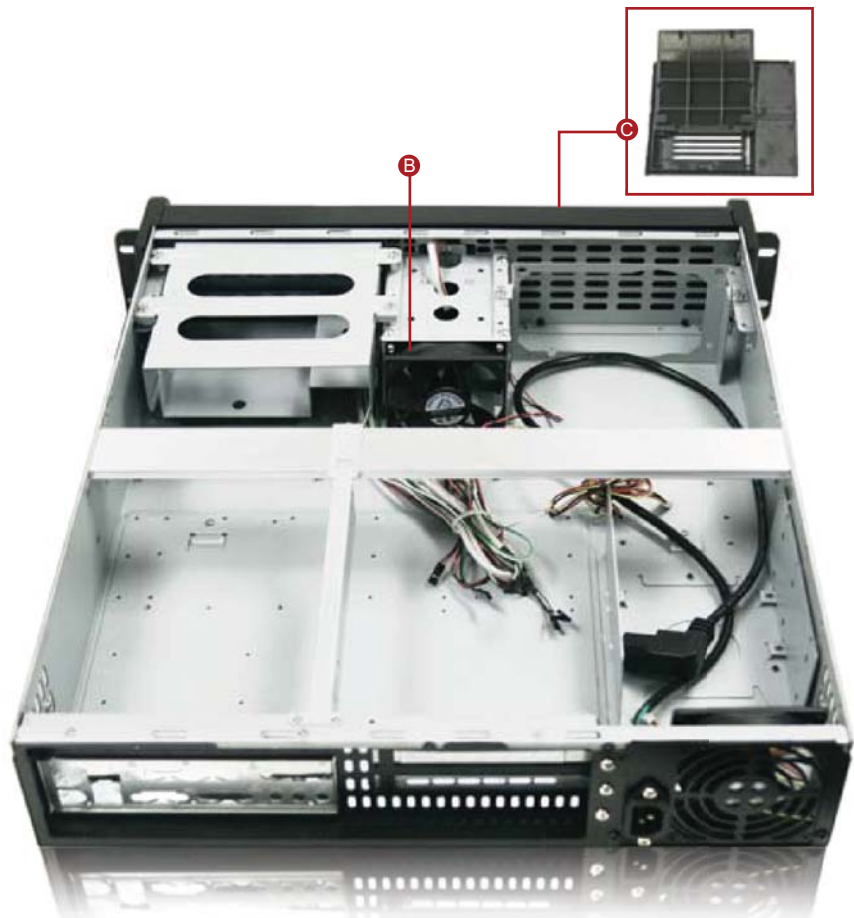
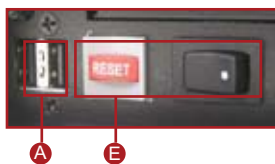


### INTRODUCTION

The 2U compact industrial rackmount chassis D Storm D-200-PFS. The full size I/O supports all ATX motherboard. Combine T-7 Hot-swappable cage for raid configuration, and total of three 3.5 drive storage that supports RAID 1/0/1+0/5 configuration as well as one 5.25 drive bay space for optical or hot-swap device. D-200-PFS supports 3 add-on cards include PCI, PCI-X, AGP, or PCI-Express architecture that provide your server or cluster maximum flexibility and performance. Optional Aluminum Body reduces total chassis weight and also provides enhanced thermal cooling solution.

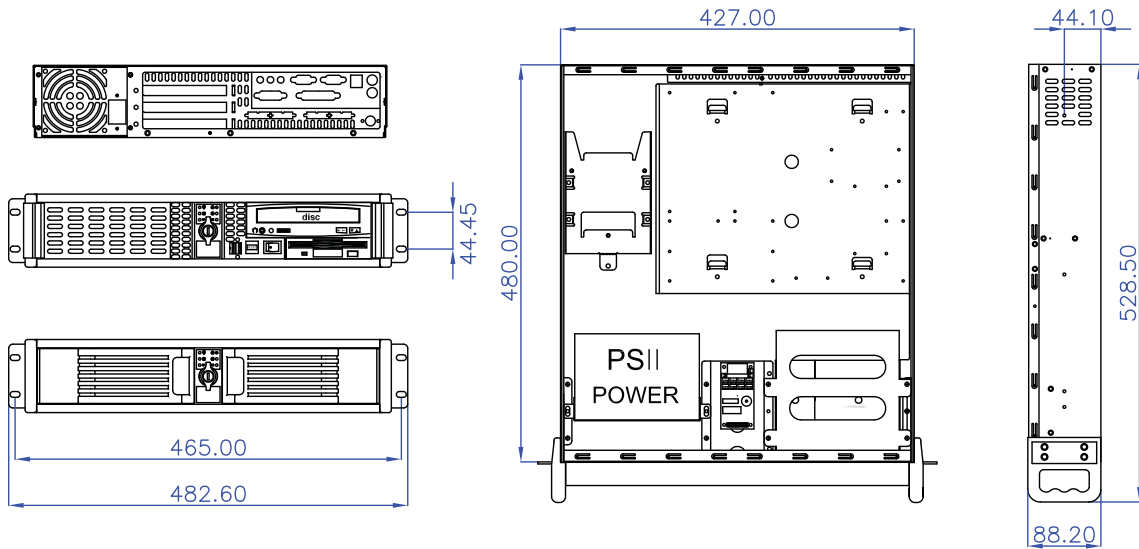
### FEATURES

- Ⓐ Front Access USB2.0 x 2
- Ⓑ 80mm x 2 Cooling Fan
- Ⓒ Removable Air Filter
- Ⓓ Power and HDD LED
- Ⓔ Power and Alarm Reset Switch
- Ⓕ Front Mount ATX Power Supply
- Ⓖ Optional Aluminum Chassis



# D-200-PFS

## DRAWING



## SPECIFICATIONS

<b>Model Number</b>	<b>D-200-PFS</b>	<b>Speaker</b>	0.4W Built-In
<b>RoHS Compliance Version</b>	Yes	<b>Air Filter</b>	Removable & Washable
<b>Standard Drive Bays</b>	3.5" Drive [Internal]: 2 5.25" Drive: 1 3.5" Drive: 1	<b>Expansion Slots</b>	Standard: 3 x PCI 32bit Optional: 1 x AGP, 2 x PCI
<b>Cooling Fan</b>	2 x 80mm	<b>Material of Front Bezel</b>	Plastic
<b>Mainboard Size [inch]</b>	12 x 10	<b>Material of Handle</b>	SECC Zinc-Coated Steel
<b>Indicators</b>	LEDs for Power ON/OFF, HDD, Fan & Alarm	<b>Material of Main Chassis</b>	1.2mm SECC Zinc-Coated Steel [Japan Made]
<b>Switches</b>	Power ON/OFF, System & Alarm Reset	<b>Color of Front Bezel</b>	Black
<b>Security</b>	Front Bezel	<b>Color of Main Chassis</b>	Black
		<b>Front Connector</b>	Front USB 2.0 x2 Connector
		<b>Dimensions (WxHxD)</b>	19 x 3.5 x 20.8 inch

## OPTIONAL ACCESSORIES

Model Number	Page
RP-COMBO-SLIM	N/A
T-7-SA	158
TC-Rail-20/24/26	160
RP-HDD3.5	N/A

Model Number	Page
DD-200-DR/DS/DBlue/DG	N/A
DD-Fan60	162
TC-iStorm 8	160

## POWER SUPPLY OPTIONS

Model Number	Output	Page
TC-350PD1	350W	230
TC-400PD1	400W	230
TC-500PD1	500W	230
TC-600PD2	600W	234
TC-650PD2	650W	234

Model Number	Output	Page
TC-700PD2	700W	234
TC-750PD2	750W	234

:: Specification and wiring diagram subject to change without notice  
 :: Limited Warranty  
 :: Last Update: Jan/2011

