

# D-200L-T

## 2U High Performance Rackmount Chassis

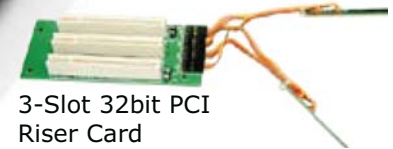
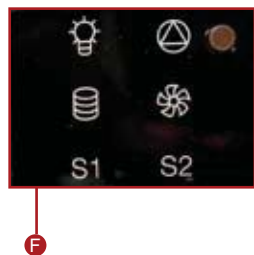
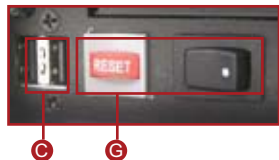
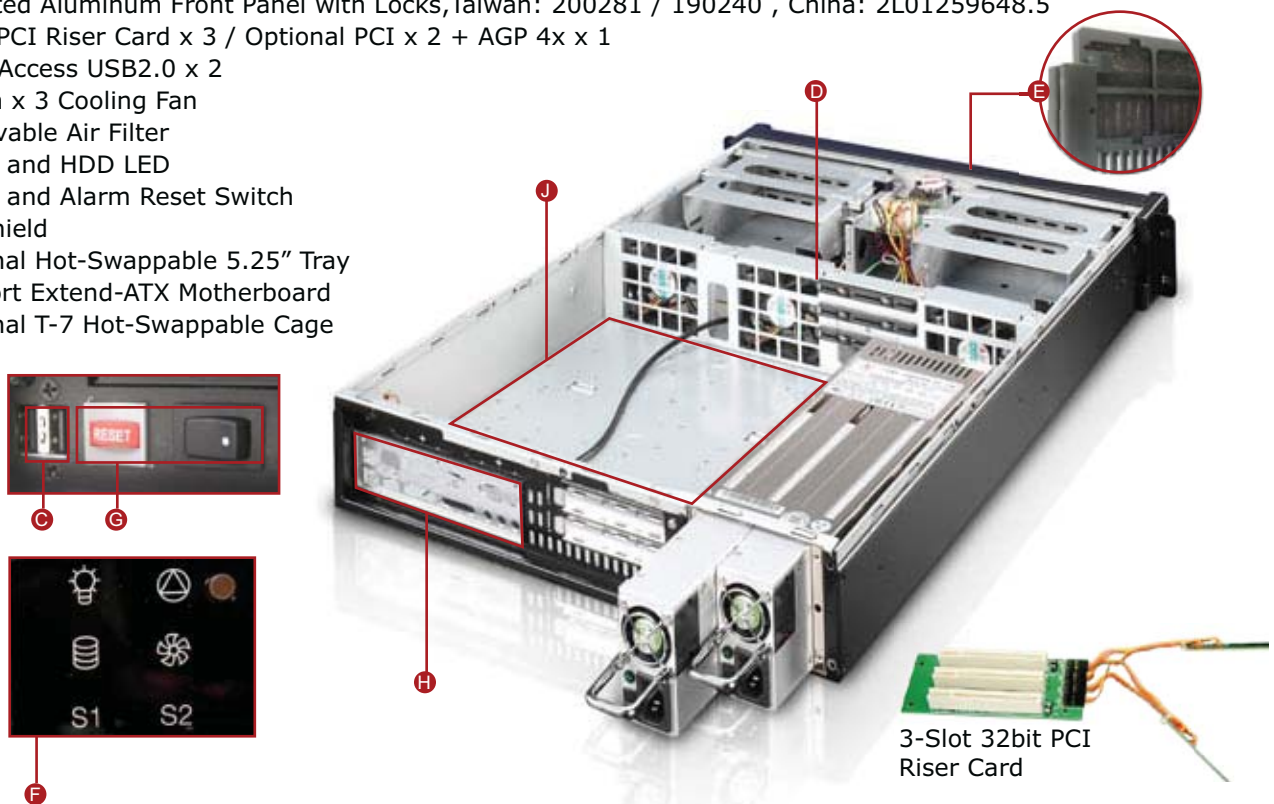


### INTRODUCTION

The 2U compact industrial rackmount chassis D Storm D-200L-T. The full size I/O supports all ATX motherboard. Combine T-7 Hot-swappable cage for raid configuration, and total up to 4 drive storage capacity. D-200L-T support 3 add-on cards include PCI, PCI-X, AGP, or PCI-Express architecture that provide your server or cluster maximum flexibility and performance.

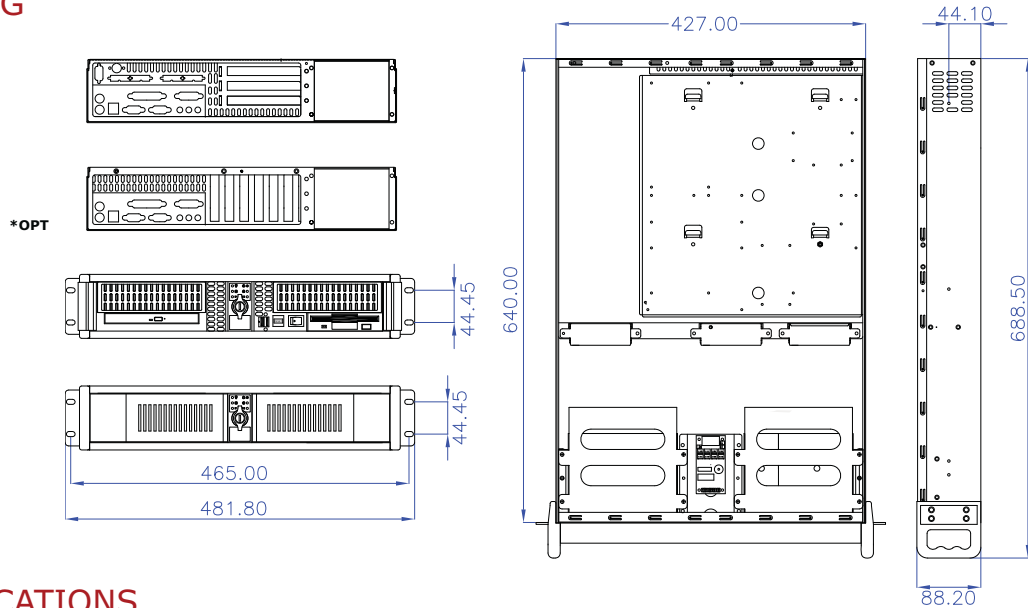
### FEATURES

- Ⓐ Patented Aluminum Front Panel with Locks, Taiwan: 200281 / 190240 , China: 2L01259648.5
- Ⓑ 32bit PCI Riser Card x 3 / Optional PCI x 2 + AGP 4x x 1
- Ⓒ Front Access USB2.0 x 2
- Ⓓ 80mm x 3 Cooling Fan
- Ⓔ Removable Air Filter
- Ⓕ Power and HDD LED
- Ⓖ Power and Alarm Reset Switch
- Ⓗ I/O Shield
- Ⓘ Optional Hot-Swappable 5.25" Tray
- Ⓙ Support Extend-ATX Motherboard
- Ⓚ Optional T-7 Hot-Swappable Cage



# D-200L-T

## DRAWING



## SPECIFICATIONS

<b>Model Number</b>	<b>D-200L-T</b>	<b>Security</b>	Front Bezel
<b>RoHS Compliance Version</b>	Yes	<b>Speaker</b>	0.4W Built-In
<b>Standard Drive Bays</b>	5.25" Drive: 2 + 1 x SlimCD 3.5" Drive: 1	<b>Air Filter</b>	Removable & Washable
<b>Cooling Fan</b>	3 x 80mm	<b>Material of Front Bezel</b>	Aluminum Alloy
<b>Mainboard Size [inch]</b>	12 x 13	<b>Material of Handle</b>	SECC Zinc-Coated Steel
<b>Indicators</b>	LEDs for Power ON/OFF, HDD, Fan & Alarm	<b>Material of Main Chassis</b>	1.2mm SECC Zinc-Coated Steel [Japan Made]
<b>Switches</b>	Power ON/OFF, System & Alarm Reset	<b>Color of Front Bezel</b>	Black / Blue / Silver / Red / Gold
<b>Expansion Slots</b>	Standard: 3 x PCI 32bit Optional: 1 x AGP, 2 x PCI	<b>Color of Main Chassis</b>	Black
		<b>Front Connector</b>	Front USB 2.0 x 2 Connector
		<b>Dimensions (WxHxD)</b>	19 x 3.5 x 27.1 inch

## OPTIONAL ACCESSORIES

Model Number	Page	Model Number	Page
RP-COMBO-SLIM	N/A	DD-200-DR/DS/DBlue/DG	N/A
T-7	158	DD-200-32bit/64bit/AGP/AGP Pro	10-11
TC-Rail-24	160	RP-HDD3.5	N/A
TC-Rail-26	160	TC-iStorm8	160

## POWER SUPPLY OPTIONS

Model Number	Output	Page	Model Number	Output	Page
TC-2U/35	350W	220	TC-350R2U	350W	214
TC-2U/40	400W	220	TC-400R2U	400W	214
TC-2U/46	460W	220	TC-500S2U	500W	216
			TC-2U/55P	550W	222

:: Specification and wiring diagram subject to change without notice  
 :: Limited Warranty  
 :: Last Update: Jan/2011

