

D-200L

2U High Performance Rackmount Chassis

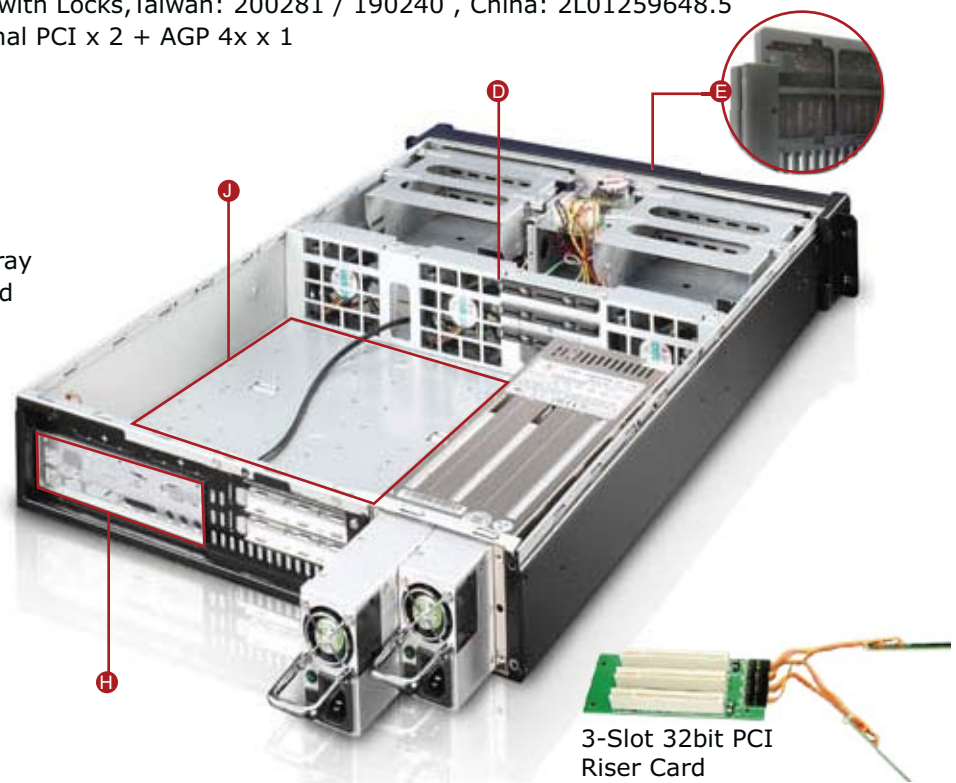


INTRODUCTION

The 2U compact industrial rackmount chassis D Storm D-200L. The full size I/O supports all ATX motherboard. Combine T-7 Hot-swappable cage for raid configuration, and total up to 4 drive storage capacity. D-200L support 3 add-on cards include PCI, PCI-X, AGP, or PCI-Express architecture that provide your server or cluster maximum flexibility and performance. Optional Aluminum Body reduces total chassis weight and also provides enhanced thermal cooling solution.

FEATURES

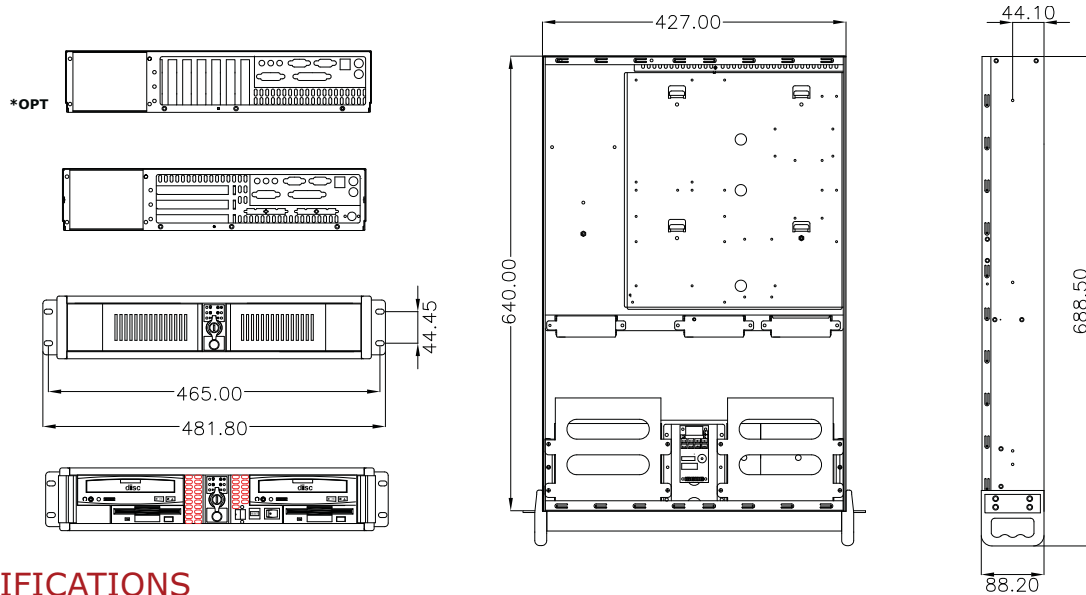
- Ⓐ Patented Aluminum Front Panel with Locks, Taiwan: 200281 / 190240 , China: 2L01259648.5
- Ⓑ 32bit PCI Riser Card x 3 / Optional PCI x 2 + AGP 4x x 1
- Ⓒ Front Access USB2.0 x 2
- Ⓓ 80mm x 3 Cooling Fan
- Ⓔ Removable Air Filter
- Ⓕ Power and HDD LED
- Ⓖ Power and Alarm Reset Switch
- Ⓗ I/O Shield
- Ⓘ Optional Hot-Swappable 5.25" Tray
- Ⓝ Support Extend-ATX Motherboard



3-Slot 32bit PCI Riser Card

D-200L

DRAWING



SPECIFICATIONS

| | | | |
|--------------------------------|---|---------------------------------|---|
| Model Number | D-200L | Security | Front Bezel |
| RoHS Compliance Version | Yes | Speaker | 0.4W Built-In |
| Standard Drive Bays | 5.25" Drive: 2 + 3.5" Drive: 2 | Air Filter | Removable & Washable |
| Cooling Fan | 3 x 80mm | Material of Front Bezel | Aluminum Alloy |
| Mainboard Size [inch] | 12 x 13 | Material of Handle | SECC Zinc-Coated Steel |
| Indicators | LEDs for Power ON/OFF, HDD, Fan & Alarm | Material of Main Chassis | 1.2mm SECC Zinc-Coated Steel [Japan Made] |
| Switches | Power ON/OFF, System & Alarm Reset | Color of Front Bezel | Black / Blue / Silver / Red / Gold |
| Expansion Slots | Standard: 3 x PCI 32bit Optional: 1 x AGP, 2 x PCI | Color of Main Chassis | Black |
| | | Front Connector | Front USB 2.0 x 2 Connector |
| | | Dimensions (WxHxD) | 19 x 3.5 x 27.1 inch |

OPTIONAL ACCESSORIES

| Model Number | Page | Model Number | Page |
|---------------|------|--------------------------------|-------|
| RP-COMBO-SLIM | N/A | DD-200-DR/DS/DBlue/DG | N/A |
| T-7 | 158 | DD-200-32bit/64bit/AGP/AGP Pro | 10-11 |
| TC-Rail-24 | 160 | RP-HDD3.5 | N/A |
| TC-Rail-26 | 160 | TC-iStorm8 | 160 |

POWER SUPPLY OPTIONS

| Model Number | Output | Page | Model Number | Output | Page |
|--------------|--------|------|--------------|--------|------|
| TC-2U/35 | 350W | 220 | TC-350R2U | 350W | 214 |
| TC-2U/40 | 400W | 220 | TC-400R2U | 400W | 214 |
| TC-2U/46 | 460W | 220 | TC-500S2U | 500W | 216 |
| | | | TC-2U/55P | 550W | 222 |

:: Specification and wiring diagram subject to change without notice
 :: Limited Warranty
 :: Last Update: Jan/2011

