

# D-200S

## 2U Compact Stylish Rackmount Chassis

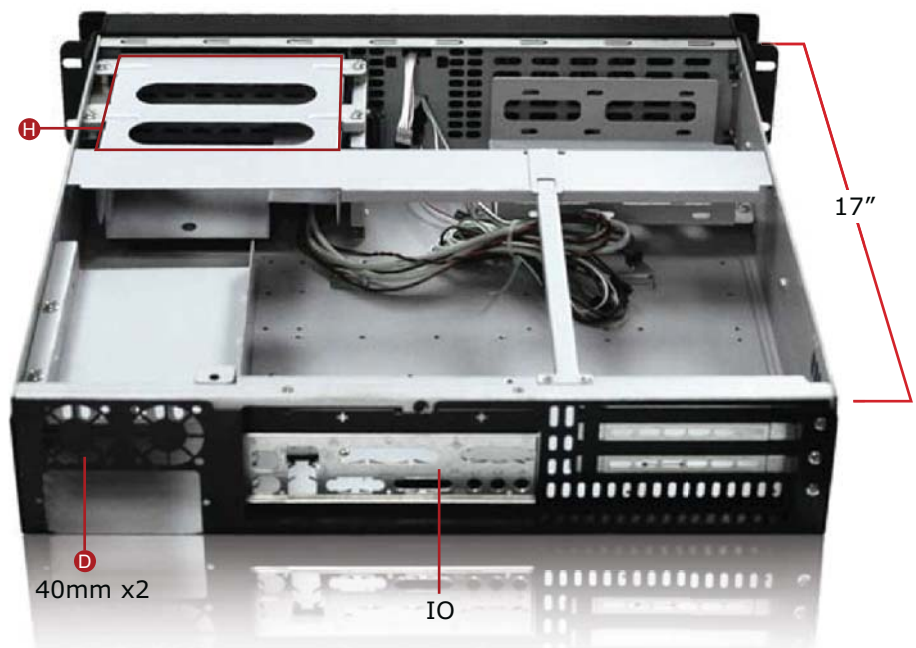


### INTRODUCTION

D-200S is a reliable and stable 2U-high 17" depth with 3-slot PCI industrial computer chassis. The full size I/O supports all ATX motherboard. D-200S supports three add-on cards include PCI, PCI-X, AGP, or PCI-Express architecture that provide your server or cluster maximum flexibility and performance. This unit is ideal for data intensive business, multimedia, and surveillance applications when rack space optimization with high data storage capacity is crucial. Optional aluminum body reduces total chassis weight and also provides enhanced thermal cooling solution.

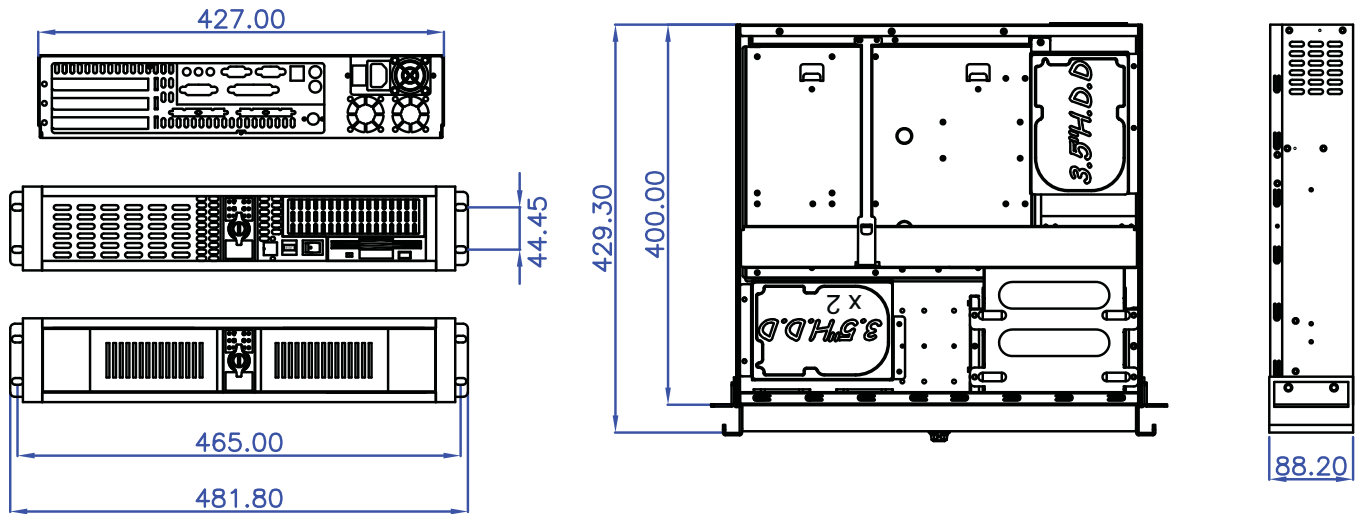
### FEATURES

- A Patented Aluminum Front Panel with Locks, Taiwan: 200281 / 190240 , China: 2L01259648.5
- B 2U High 17" Depth Short For Applications of Industrial Computer Chassis
- C Supports Front Access USB2.0 x2
- D 40mm x2 Cooling Fan
- E Removable Air Filter
- F Power and HDD LED
- G Power and Alarm Reset Switch
- H Shock-resistant Drive Bay Design Supports Up to One 5.25" and 3.5" Disk Drives
- I 32bit PCI riser card x3 / Optional PCI x2 + AGP 4x x1
- J Optional Aluminum Chassis
- K Color Aluminum Bezel Options: Red/Blue/Gold/Silver



# D-200S

## DRAWING



## SPECIFICATIONS

<b>Model Number</b>	D-200S	<b>Security</b>	Front Bezel
<b>RoHS Compliance Version</b>	Yes	<b>Speaker</b>	0.4W Built-In
<b>Standard Drive Bays</b>	5.25" Drive: 1 3.5" Drive: 1 3.5 Drive [Internal]: 3	<b>Air Filter</b>	Removable & Washable
<b>Cooling Fan</b>	2 x 40mm	<b>Material of Front Bezel</b>	Aluminum Alloy
<b>Mainboard Size [inch]</b>	12 x 10	<b>Material of Handle</b>	SECC Zinc-Coated Steel
<b>Indicators</b>	LEDs for Power ON/OFF, HDD, Fan & Alarm	<b>Material of Main Chassis</b>	1.2mm SECC Zinc-Coated Steel [ Japan Made ]
<b>Switches</b>	Power ON/OFF, System & Alarm Reset	<b>Color of Front Bezel</b>	Black / Blue / Silver / Red / Gold
		<b>Color of Main Chassis</b>	Black
		<b>Front Connector</b>	Front USB 2.0 x 2 Connector
		<b>Dimensions (WxHxD)</b>	19 x 3.5 x 17 inch

## OPTIONAL ACCESSORIES

Model Number	Page
DD-Series	10-11
TC-Rail 20/24	160

## POWER SUPPLY OPTIONS

Model Number	Output	Product Description	Page
CP-01025	250W	250W 1U Switching Power Supply	N/A
CP-01035	350W	350W 1U Switching Power Supply	N/A
CP-01040	400W	400W 1U Switching Power Supply	N/A

:: Specification and wiring diagram subject to change without notice  
 :: Limited Warranty  
 :: Last Update: Jan/2011

