

D-300-PFS

3U Compact Stylish Rackmount Chassis

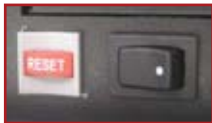


INTRODUCTION

The 3U industrial rackmount chassis D Storm D-300-PFS. It features two 5.25 and six 3.5 bays for high density storage application. D-300-PFS backplane supports 7 full-length add-on cards. Optional Aluminum Body reduces total chassis weight and also provides enhanced thermal cooling solution provide your system with maximum flexibility and performance.

FEATURES

- Ⓐ Front Access USB2.0 x 2
- Ⓑ 60mm x 1, 80mm x 1 Cooling Fan
- Ⓒ Removable Air Filter
- Ⓓ Power and HDD LED
- Ⓔ Power and Alarm Reset Switch
- Ⓕ Front Mount ATX Power Supply
- Ⓖ Optional Aluminum Chassis



E



D

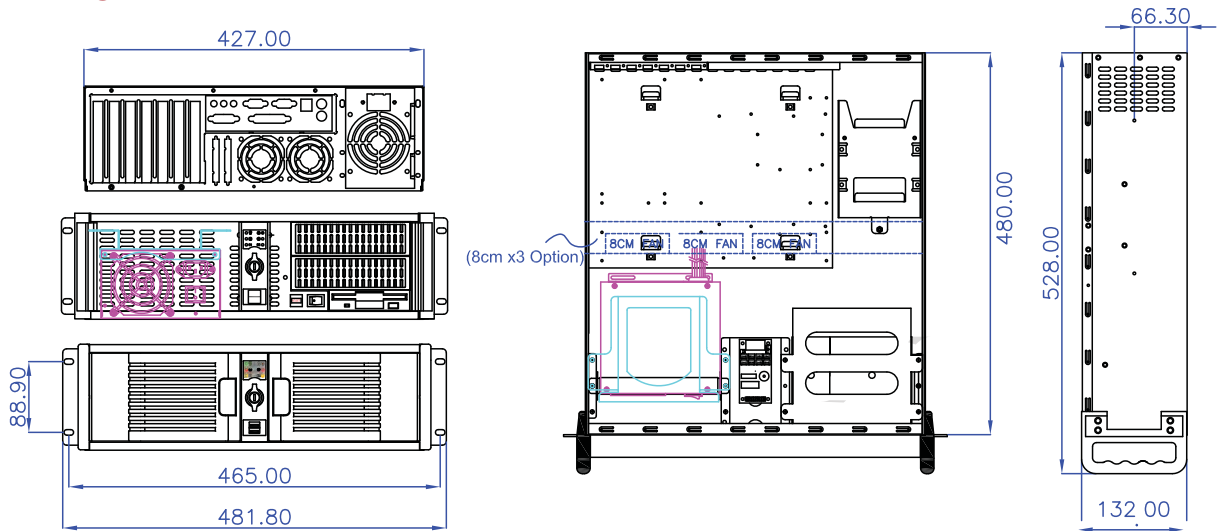


C



D-300-PFS

DRAWING



SPECIFICATIONS

Model Number	D-300-PFS	Speaker	0.4W Built-In
RoHS Compliance Version	Yes	Air Filter	Removable & Washable
Standard Drive Bays	5.25" Drive: 2 3.5" Drive: 1 3.5" Drive [internal]: 5	Expansion Slots	7 x PCI
Cooling Fan [Option]	1 x 60mm 1 x 80mm [3x80mm]	Material of Front Bezel	Plastic
Mainboard Size [inch]	12 x 10	Material of Handle	SECC Zinc-Coated Steel
Indicators	LEDs for Power ON/OFF, HDD, Fan & Alarm	Material of Main Chassis	1.2mm SECC Zinc-Coated Steel [Japan Made]
Switches	Power ON/OFF, System & Alarm Reset	Color of Front Bezel	Black
Security	Front Bezel	Color of Main Chassis	Black
		Front Connector	Front USB 2.0 x2 Connector
		Dimensions (WxHxD)	19 x 5.25 x 20.8 inch

OPTIONAL ACCESSORIES

Model Number	Page
RP-COMBO-SLIM	N/A
T-7-SA	158
TC-Rail-20/24/26	160

Model Number	Page
DD-300-DR/DS/DBLue/DG	N/A
BPU-230SATA	154
DD-Fan60/80	162-163
TC-iStorm 7/8	160

POWER SUPPLY OPTIONS

Model Number	Output	Page
TC-350PD1	350W	230
TC-400PD1	400W	230
TC-500PD1	500W	230
TC-600PD2	600W	234
TC-650PD2	650W	234

Model Number	Output	Page
TC-700PD2	700W	234
TC-750PD2	750W	234

:: Specification and wiring diagram subject to change without notice
 :: Limited Warranty
 :: Last Update: Jan/2011

