

# D-300L-B6SA

3U High Performance Rackmount Chassis

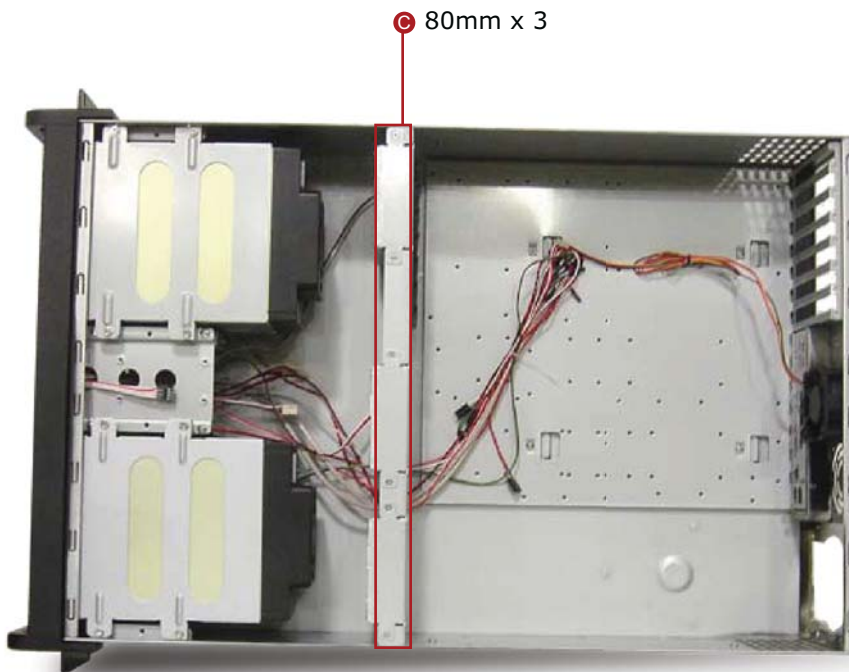


## INTRODUCTION

Introduce iStarUSA 3U industrial rackmount chassis D Storm D-300L-B6SA. The full size back plane and width support dual Intel and AMD CPU motherboard. It has excellent thermal solution with extra cooling fans. It also enables hot-swappable storage, raid configuration, and total storage capacity up to 6 storage drives provide your server or cluster maximum flexibility and performance.

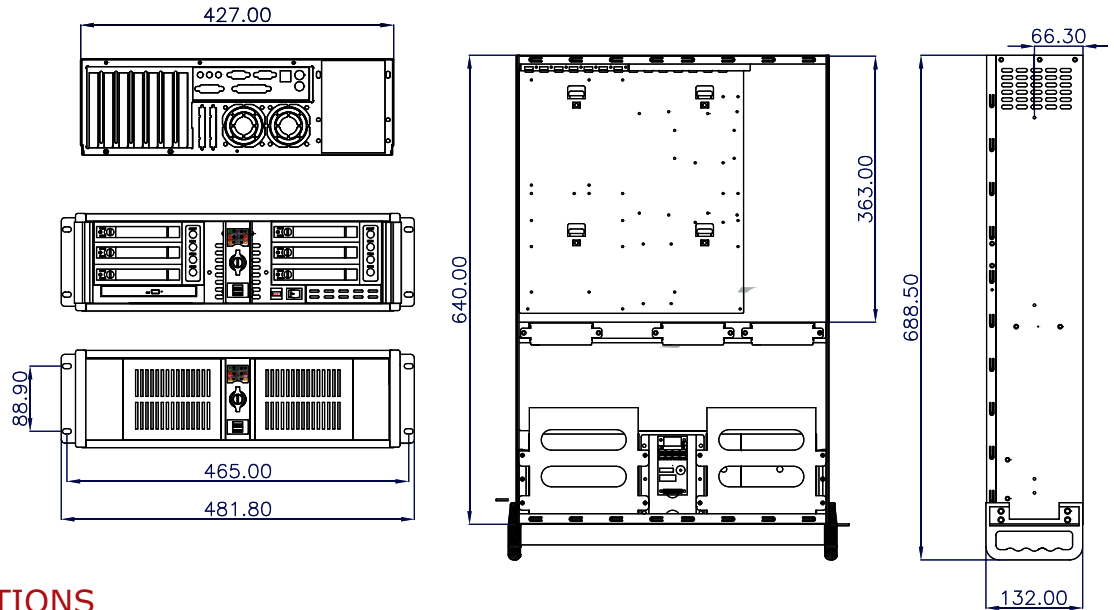
## FEATURES

- Ⓐ Patented Aluminum Front Panel with Locks, Taiwan: 200281 / 190240 , China: 2L01259648.5
- Ⓑ Front Access USB2.0 x 2
- Ⓒ 60mm x 2, 80mm x 3 Cooling Fan
- Ⓓ Removable Air Filter
- Ⓔ Power and HDD LED
- Ⓕ Power and Alarm Reset Switch
- Ⓖ Standard I/O Shield



# D-300L-B6SA

## DRAWING



## SPECIFICATIONS

<b>Model Number</b>	D-300L-B6SA	<b>Security</b>	Front Bezel
<b>RoHS Compliance Version</b>	Yes	<b>Speaker</b>	0.4W Built-In
<b>Standard Drive Bays</b>	Hot-Swap Drive: 6 Slim CD Drive: 1 3.5" Drive: 1 3.5 Drive [internal]: 1	<b>Air Filter</b>	Removable & Washable
<b>Cooling Fan [Option]</b>	3 x 80mm, 1 x 60mm [1 x 60mm]	<b>Material of Front Bezel</b>	Aluminum Alloy
<b>Mainboard Size [inch]</b>	12 x 13	<b>Material of Handle</b>	1.2mm SECC Zinc-Coated Steel
<b>Indicators</b>	LEDs for Power ON/OFF, HDD, Fan & Alarm	<b>Material of Main Chassis</b>	1.2mm SECC Zinc-Coated Steel [Japan Made]
<b>Switches</b>	Power ON/OFF, System & Alarm Reset	<b>Color of Front Bezel</b>	Black / Blue / Silver / Red / Gold
		<b>Color of Main Chassis</b>	Black
		<b>Front Connector</b>	Front USB 2.0 x 2 Connector
		<b>Dimensions (WxHxD)</b>	19 x 5.25 x 27.1 inch

## OPTIONAL ACCESSORIES

Model Number	Product Description	Page
DD-300-DR/DS/DBlue/DG	Aluminum Red/Silver/Blue/Gold Color Door	N/A
DD-Fan60	60mm Ball Bearing Fan	162
DD-Fan 80	80mm Ball Bearing Fan	163
TC-Rail-24/26	24"/26" Sliding Rail Kit for Most Rackmount Chassis	160

## POWER SUPPLY OPTIONS

Model Number	Output	Page	Model Number	Output	Page
TC-3U/30	300W	224	TC-350R2U	350W	214
TC-3U/40	400W	224	TC-400R2U	400W	214
TC-3U/46	460W	224	TC-500S2U	500W	216
			TC-2U/55P	550W	222

:: Specification and wiring diagram subject to change without notice

:: Limited Warranty

:: Last Update: Jan/2011

