

D2-200L-M4SA

2U 4 Hot-Swappable Rackmount Chassis

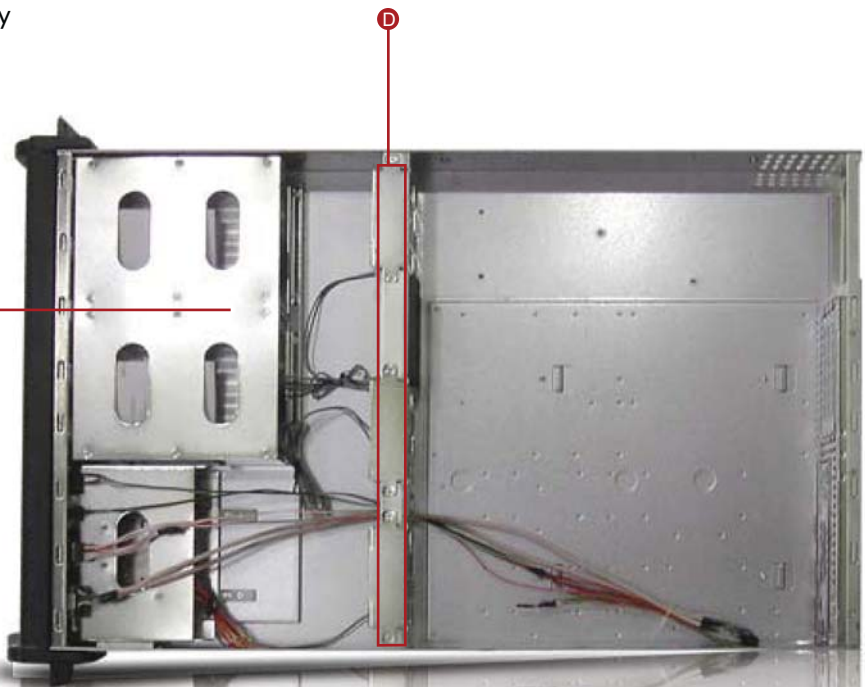
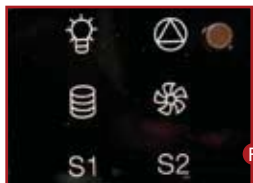


INTRODUCTION

A descendant of our popular D-Storm rackmount chassis D2-200L-M4SA is stylish and compact. The redesigned D2-200L-M4SA features 4 hot-swap drive trays with SATA II interface to provide high density and high availability storage server. The 3 PCI cutouts support PCI, PCI 64bits, AGP, and PCI-Express add-on cards. D2-200L-M4SA is a well designed and feature-loaded entry-level storage chassis.

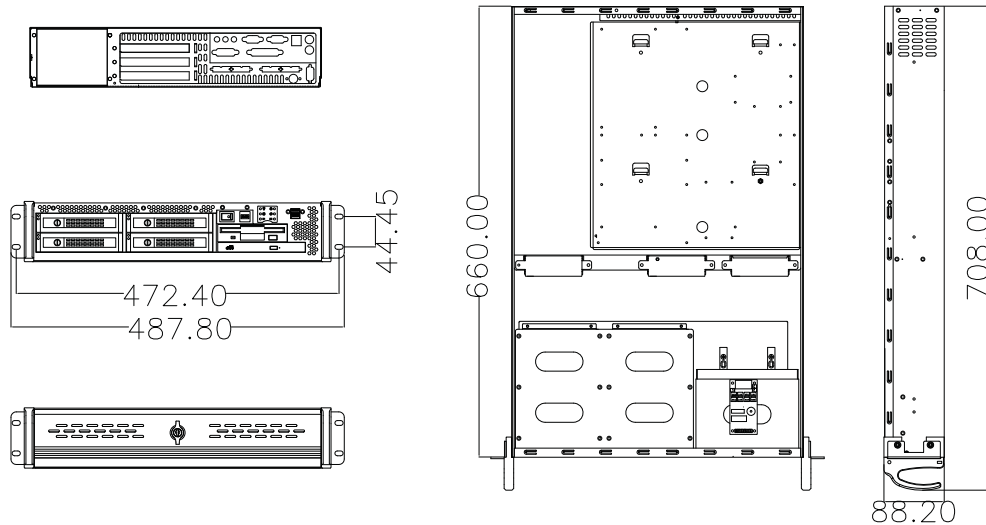
FEATURES

- A 32bit PCI Riser Card x 3 / Optional PCI x 2 + AGP 4 x x 1
- B 4 Hot-Swappable SATA II Drive Bay
- C Front Access USB2.0 x 2
- D 80mm x 3 Cooling Fan
- E Removable Air Filter
- F Power and HDD LED
- G Power and Alarm Reset Switch
- H I/O Shield



D2-200L-M4SA

DRAWING



SPECIFICATIONS

Model Number	D2-200L-M4SA	Air Filter	Removable & Washable
RoHS Compliance Version	Yes	Expansion Slots	Standard: 3 x PCI 32bit Optional: 1 x AGP, 2 x PCI
Standard Drive Bays	5.25" Drive: 1 x SlimCD 3.5" Drive: 1 Hot-Swap Drive: 4 x SATA	Security	Front Bezel
Cooling Fan	3 x 80mm	Material of Front Bezel	Aluminum Alloy
Mainboard Size [inch]	12 x 13	Material of Handle	SECC Zinc-Coated Steel
Indicators	LEDs for Power ON/OFF, HDD, Fan & Alarm	Material of Main Chassis	1.2mm SECC Zinc-Coated Steel [Japan Made]
Switches	Power ON/OFF, System & Alarm Reset	Color of Front Bezel	Black/Red/Blue/Silver/Gold
Speaker	0.4W Built-In	Color of Main Chassis	Black
		Front Connector	Front USB 2.0 x 2 Connector
		Dimensions (WxHxD)	19 x 3.5 x 27.1 inch

OPTIONAL ACCESSORIES

Model Number	Page	Model Number	Page
DD-200-32bit/64bit/AGP/AGP Pro	10-11	DD-200-DR/DS/DBlue/DG	N/A
DD-Fan60	162	TC-Rail-24/26	160

POWER SUPPLY OPTIONS

Model Number	Output	Page
TC-2U/35	350W	220
TC-2U/40	400W	220
TC-2U/46	460W	220
TC-2U/55P	550W	222
TC-350R2U	350W	214
TC-400R2U	400W	214
TC-500S2U	500W	216

:: Specification and wiring diagram subject to change without notice
 :: Limited Warranty
 :: Last Update: Jan/2011

