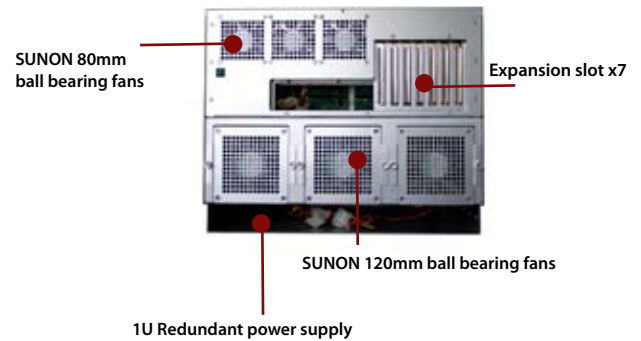
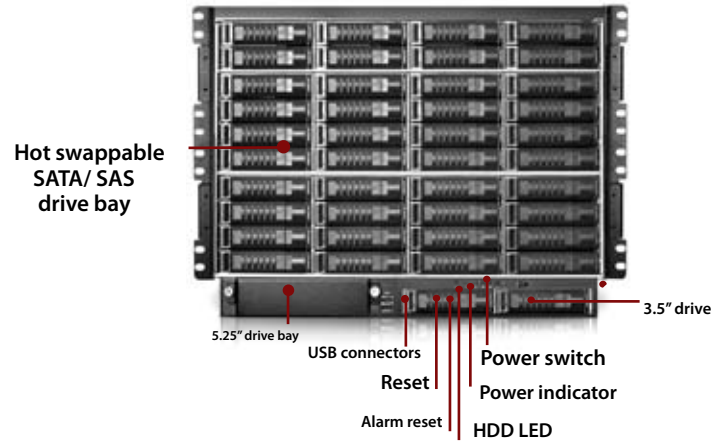


E8M42

8U 42-Bay Storage Server Rackmount Chassis



Introduction

The E storage server series rackmount not only has the stylish appearance, but the functionality and flexibility make E series a new breed of storage server. As SAS and SATA technology has become a more cost effective solution, iStarUSA has taken a step forward to prepare the migration of new technology and provide the mini SAS backplane to support both latest SAS and SATA hard drives. iStarUSA also provide redundant power supply to ensure total up time of mission critical server applications

Features

- Fiber Optical Drive Tray Status Indicator
- Advance Thermal Cooling Design Optimizes Airflow
- 3x 120mm & 80mm Cooling Fans
- Support EATX Motherboard
- Mini SAS Backplane
- Front Access USB Connector
- Power + Fan Failure + HDD LED Indicator
- Power/Alarm Reset Switch
- Fully RoHS Compliance



Learn More

Specification

Model Number	E8M42
RoHS Compliance	Yes
Standard Drive Bays	3.5" Hot-Swap Drive: 42 5.25" Drive : 1
Motherboard Size (inch)	12 x 13
Cooling Fan	3x 120mm Cooling Fans/ 3x 80mm fan
Backplane	mini SAS (SFF8087)
Hard Drive Interface	SAS/ SATA II
Expansion Slots	7 Slots
Switches	Power On/Off, Reset, Mute
Indicators	Power + Fan Failure + HDD LED
Materials	Heavy-Duty Cold-Roll Steel
Materials of Main Chassis	Zinc-Plated with Bright Chromate
Material of Front Bezel	Texture-Coated
Material of Handle	Aluminum
Dimensions (W x H x D)	19 x 14 x 27 inch

* Specification is subject to change without notice

Power Supply Options

Redundant - IS-1500R4H1UP, IS-1800R4H1UP, IS-2000R4H1UP.