

S-10000L

High Performance Professional EATX Tower



INTRODUCTION

A combination of style and performance is the feature of S-10000L workstation/server chassis. It is uniquely designed for IT professional and enterprise level application. Tool-less design of the S-10000L helps system builder or technician to install, maintain, or upgrade components. Excellent thermal solution meets FMB2.0 and CAG 1.1 which supports the latest CPU. The five HDD cages support high density storage or Raid application. Easy access Front I/O panel and sliding aluminum front bezel door is people friendly and can be customized to enhance product image.

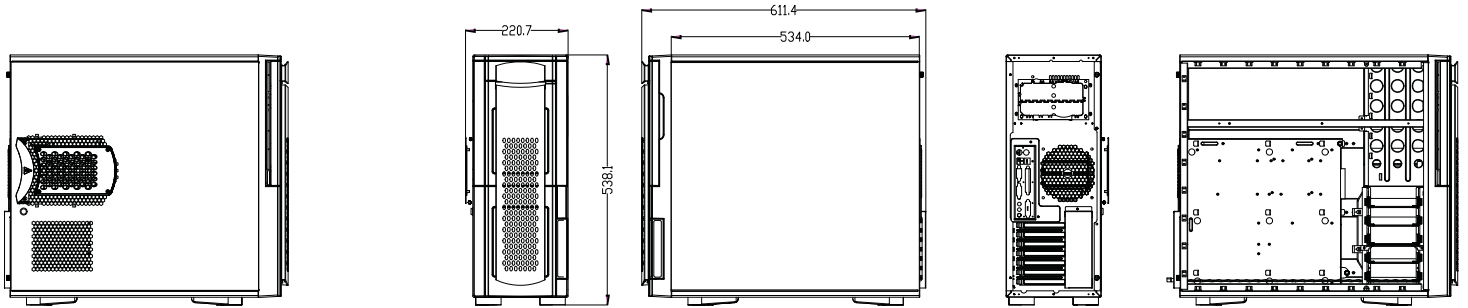
FEATURES

- Ⓐ Tool-less Thumb Screws
- Ⓑ Lockable Sidepanel
- Ⓒ Sliding Front Bezel
- Ⓓ Removable HDD Trays
- Ⓔ Revolving I/O Connectors
- Ⓕ Flip-Open Cover for Optical devices
- Ⓖ Optional LED Light



S-10000L

■ DRAWING



■ SPECIFICATIONS

Model Number	S-10000L	Switches	Power ON/OFF, System & Alarm Reset
RoHS Compliance Version	Yes	Air Filter	Removable & Washable
Standard Drive Bays	5.25" Drive: 5 3.5" Drive: 2 3.5" Drive [internal]: 5	Security	Front Bezel
Cooling Fan [Option]	1x120mm [1x120mm]	Material of Front Bezel	Aluminum
Mainboard Size [inch]	12 x 13	Material of Main Chassis	1.0mm SECC/SGCC
Indicators	LEDs for Power ON/OFF, HDD, Fan & Alarm	Color of Front Bezel	Black/Silver
Speaker	0.4W Built-In	Color of Main Chassis	Black/Silver
		Front Connector	USB 2.0 x 2 Connector 1 x IEEE1394, 1 x Line Out, 1 x Microphone
		Dimensions (WxHxD)	8.2 x 21.3 x 23.9 inch

■ OPTIONAL ACCESSORIES

Model Number	Page	Model Number	Page
BPU-230SATA	154	BPU-340SATA	155
DD-Fan80	163	RP-HDD3.5	N/A
T-7	158	TC-iStorm7/8	160

■ POWER SUPPLY OPTIONS

Model Number	Output	Page	Model Number	Output	Page
TC-300/400R8	300/400W	208	TC-350/400/500PD1	350/400/500W	230
TC-300/400/500R8A	300/400/500W	210	TC-600/650/700/750PD2	600/650/700/750W	234
TC-580/620PD3	580/620W	232			
TC-600/700R3N	600/700W	212			

:: Specification and wiring diagram subject to change without notice
 :: Limited Warranty
 :: Last Update: Jan/2011

