

TC-3U/30 TC-3U/40 TC-3U/46

300/400/460W 3U Switching Power Supply



INTRODUCTION

Introduce the industrial graded TC-3U/30, TC-3U/40, TC-3U/46 switching power supplies. Design to fit perfectly into your 3U rackmount chassis. Triple circuits protections and PFC to provide best performance and protection. TC-3U/30, TC-3U/40, TC-3U/46 combined reliability and performance for your 3U Chassis.

FEATURES

- Power Range Auto Select
- Over Power Protection
- Over Voltage Protection
- Short Circuits Protection
- Nickel Plated Enclosure to Provide Corrosion Resistance
- 16ms Hold Up Time
- Optional Quiet Version to Reduce Noise Down to 26dB

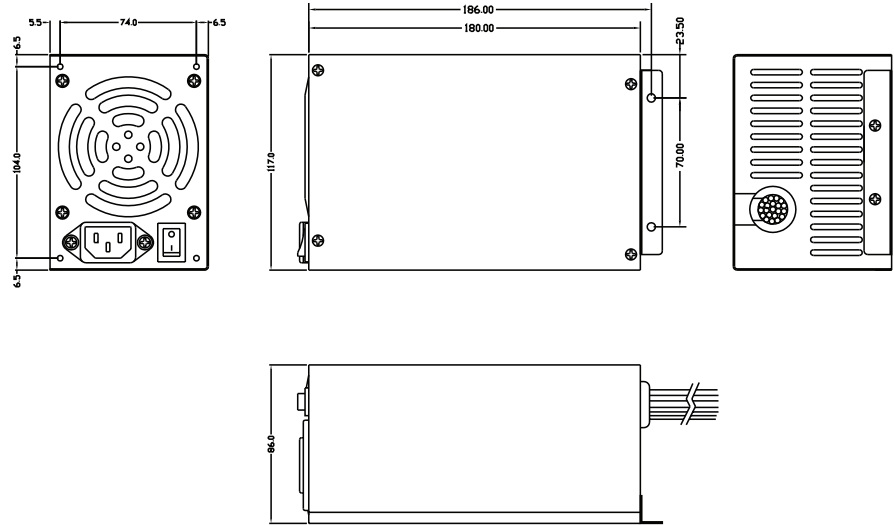
- Ⓐ Fan
- Ⓑ AC Input Fuse
- Ⓒ Power Switch



NO. of Fans: 80 mm x 1
Air Flow CFM: 39.4
Net Weight: 4.3 lb

TC-3U/30 TC-3U/46 TC-3U/40

DRAWING



20+4 Pin Connector



4 Pin Connector



Peripheral Connector



Floppy Connector



8 Pin Connector



24 Pin Connector

*TC-3U/46 ONLY

SPECIFICATIONS

Model Number	TC-3U/30	TC-3U/40	TC-3U/46
RoHS Compliance Version	Yes		
Output Power	300W	400W	460W
AC Input	90V to 132V or 180V to 264V auto selectable 47Hz ~ 63Hz		
Main Connector	20+4 Pin	20+4 Pin	24 Pin
12V Connectors	4 Pin	4 Pin	8 Pin
Dimensions [WxHxD]	117 x 86 x 180 mm		

OUTPUT TABLE

Voltage		+3.3V	+5V	+12V	-12V	-5V	+5Vsb
Max Load	TC-3U/30	20A	30A	15A	0.8A	0.5A	2A
	TC-3U/40	20A	40A	15A	0.8A	0.5A	2A
	TC-3U/46	20A	40A	24A	0.8A	0.5A	2A
Min Load		0.3A	3A	2A	0.1A	0.1A	0.1A
Regulation		±0%	±5%	±5%	±0%	±5%	±5%

COMPARTIBLE CHASSIS

E-STORM 3U SERIES / E-30
D-STORM 3U SERIES / D-300, D-300L, D-300AS, D-300AL

- :: Operation Temperature: 0°C to 50°C
- :: Humidity: 5 to 90°C non-condensing
- :: Specification and wiring diagram subject to change without notice

