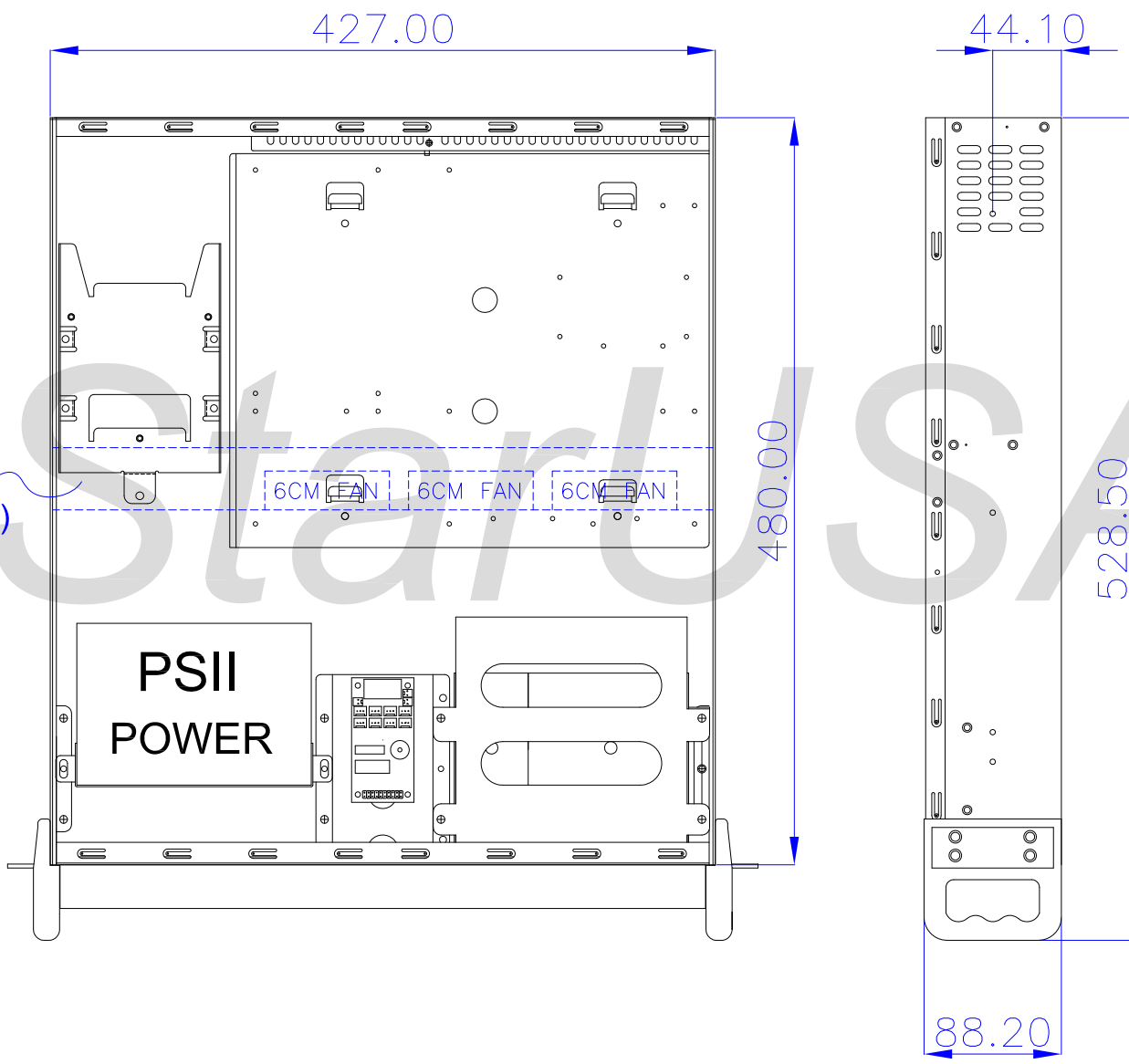
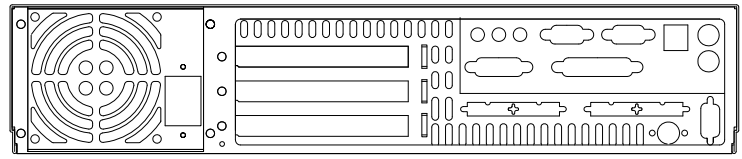
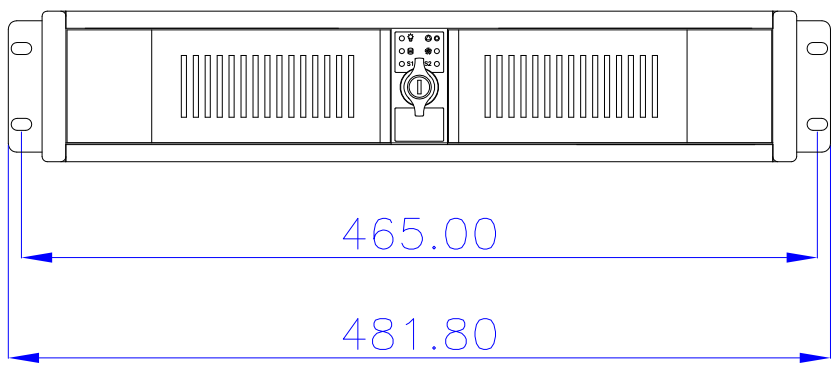
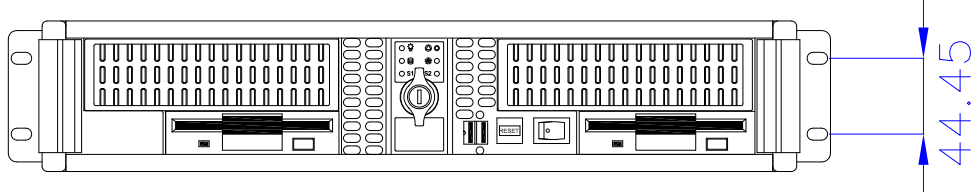


A | B | C | D | E | F | G



(6cm x3 Option)



Model NO.	D-200-FS	<b>iStarUSA™</b>			
EXT	5.25" *2 + 3.5" *2	DATE	2008/09/10		
INT	3.5" *2	PROJ			
M/B	12" * 9.6"	REV NO.	X	SCALE	1:1
SLOT	PCI*3 or PCI*2 + AGP*1	DRAWN	ANDY	UNIT	mm

A | B | C | D | E | F | G

1  
2  
3  
4  
5  
6  
7  
8  
9  
10

1  
2  
3  
4  
5  
6  
7  
8  
9  
10