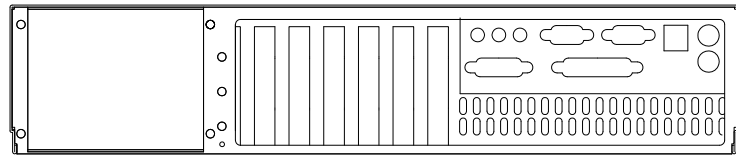
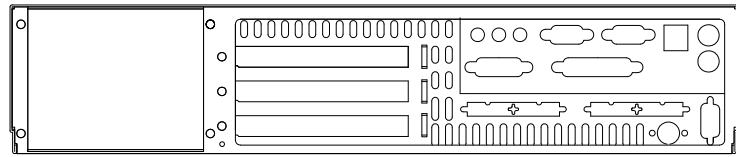


A | B | C | D | E | F | G

1

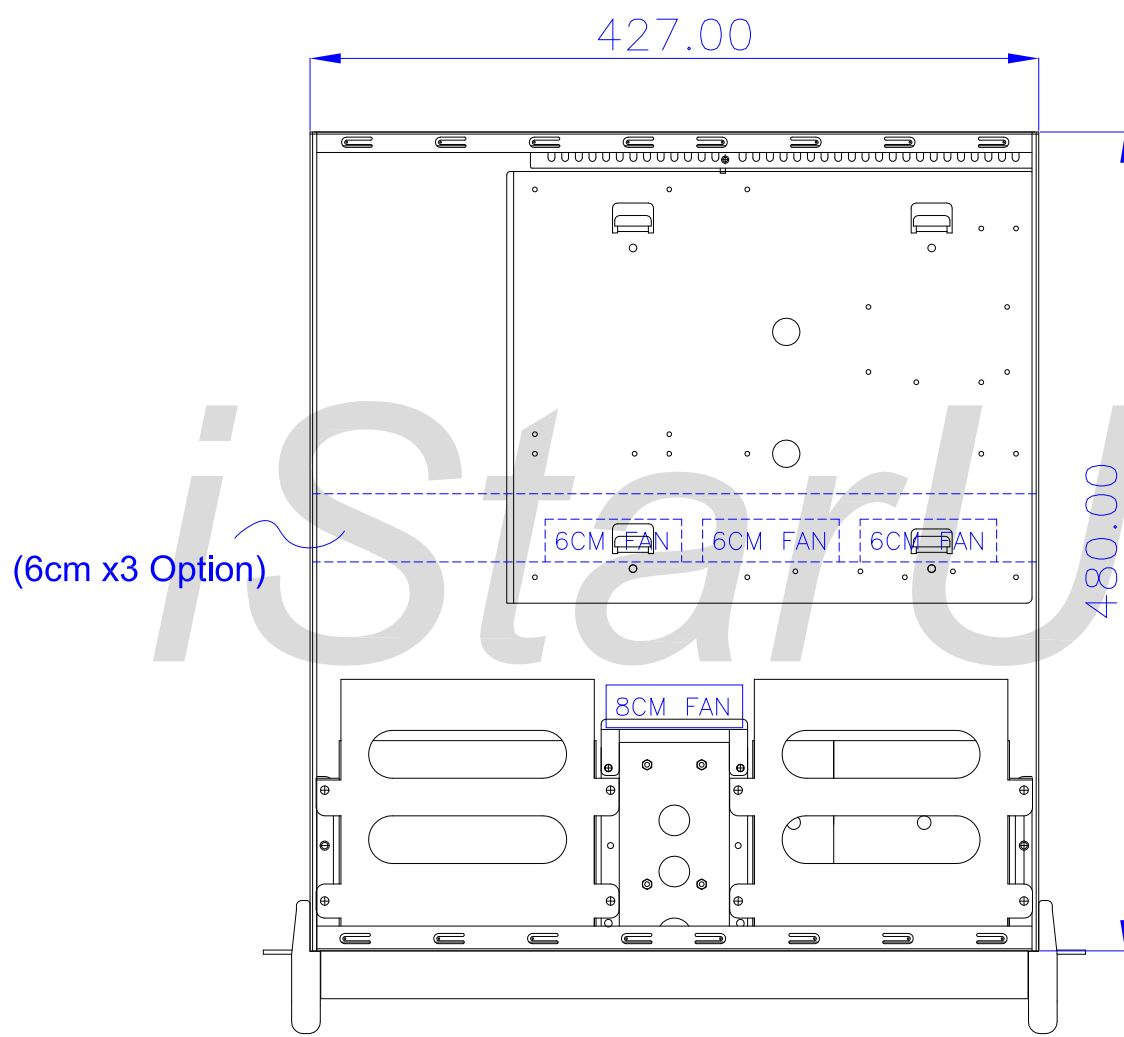


2



3

4

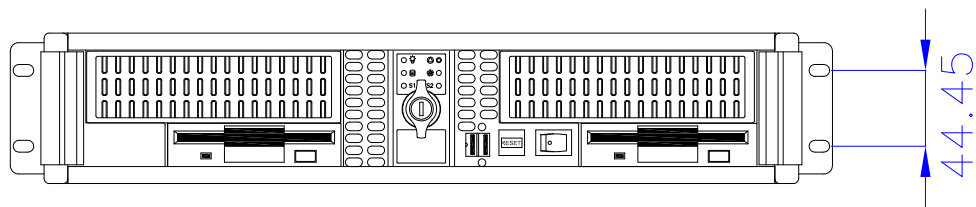


5

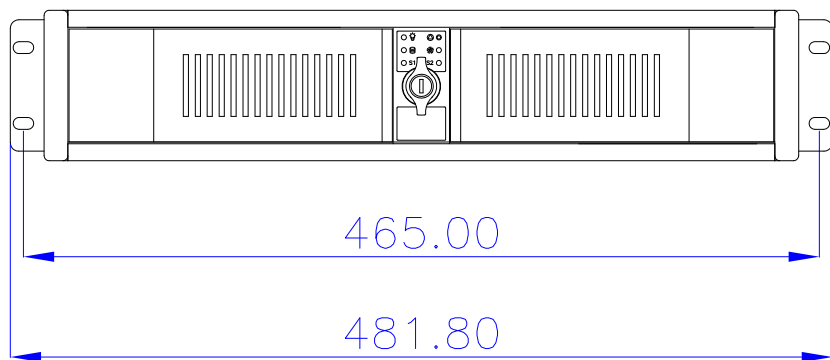
6

7

8



9



10

A | B | C | D | E | F | G

Model NO.	D-200	iStarUSA™			
EXT	5.25" * 2 + 3.5" * 2	DATE	2008/09/10		
INT		PROJ	⊕ ⊖		
M/B	12" * 9.6"	REV NO.	X	SCALE	1:1
SLOT	PCI*3 or PCI*2 + AGP*1	DRAWN	ANDY	UNIT	mm

1

2

3

4

5

6

7

8

9

10