

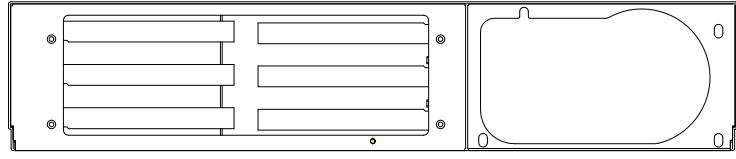
A | B | C | D | E | F | G

1

1

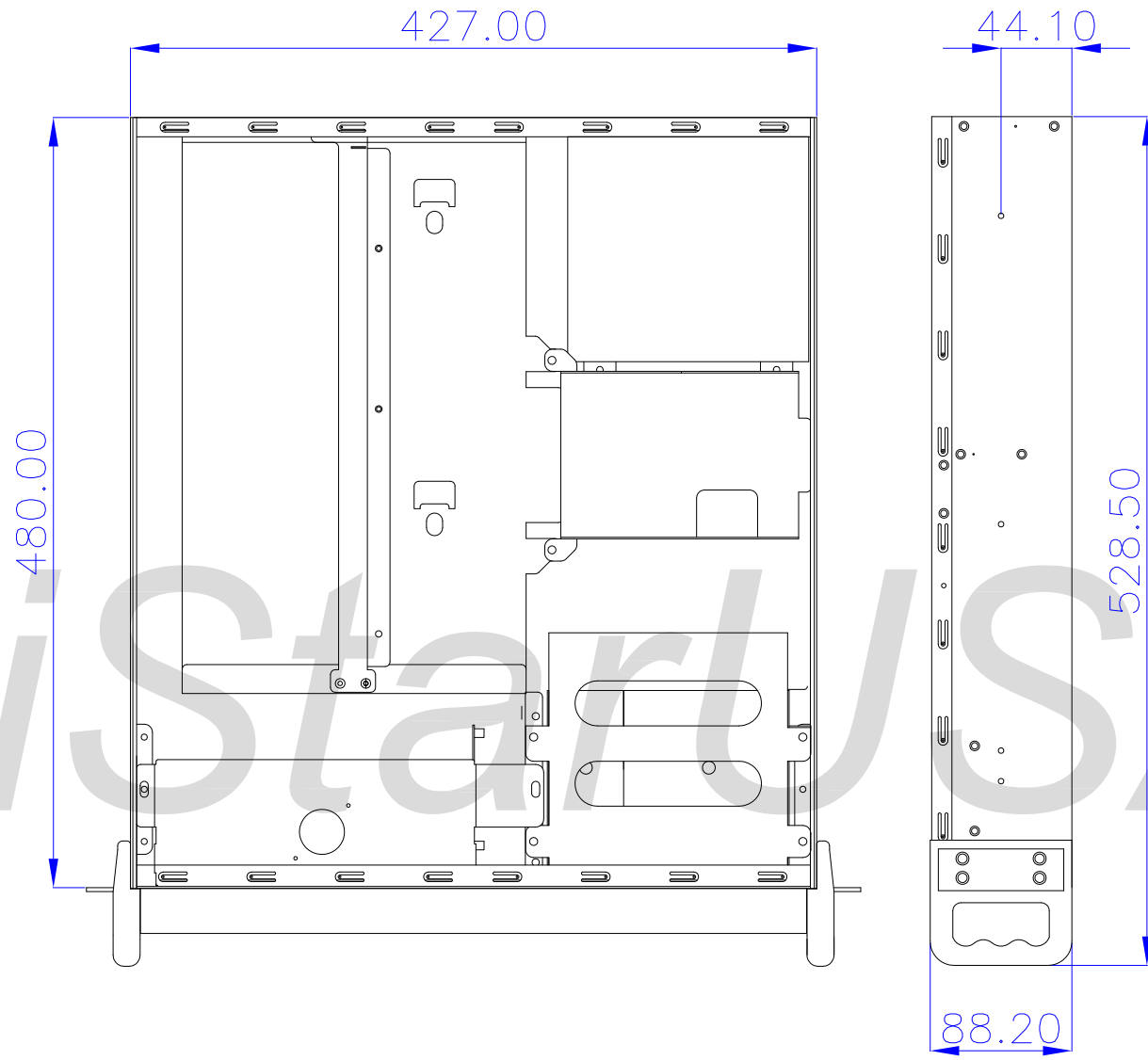
2

2



3

3



4

4

5

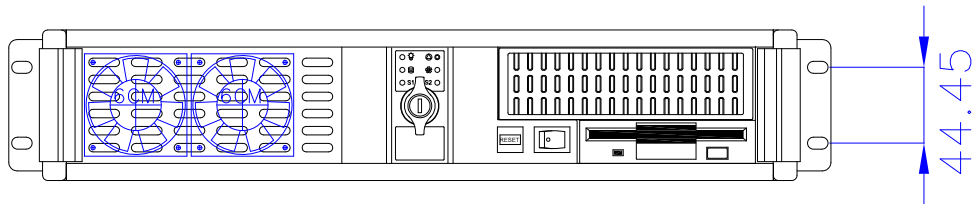
5

6

6

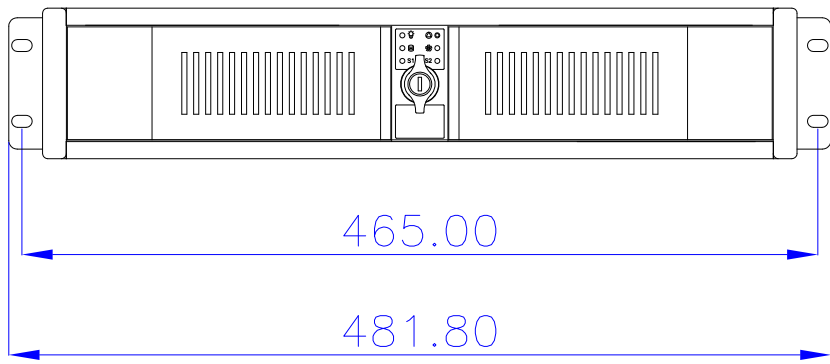
7

7



8

8



9

9

10

10

A | B | C | D | E | F | G

Model NO.	D-206	iStarUSA™			
EXT	5.25" *1 + 3.5" *1	DATE	2008/09/10		
INT	3.5" *1	PROJ			
M/B	IPC Backplane	REV NO.	X	SCALE	1:1
SLOT	PCI*3 + ISA*3	DRAWN	ANDY	UNIT	mm