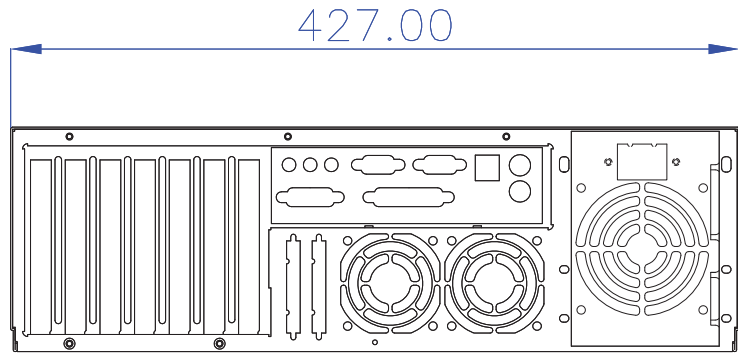


A B C D E F G

1

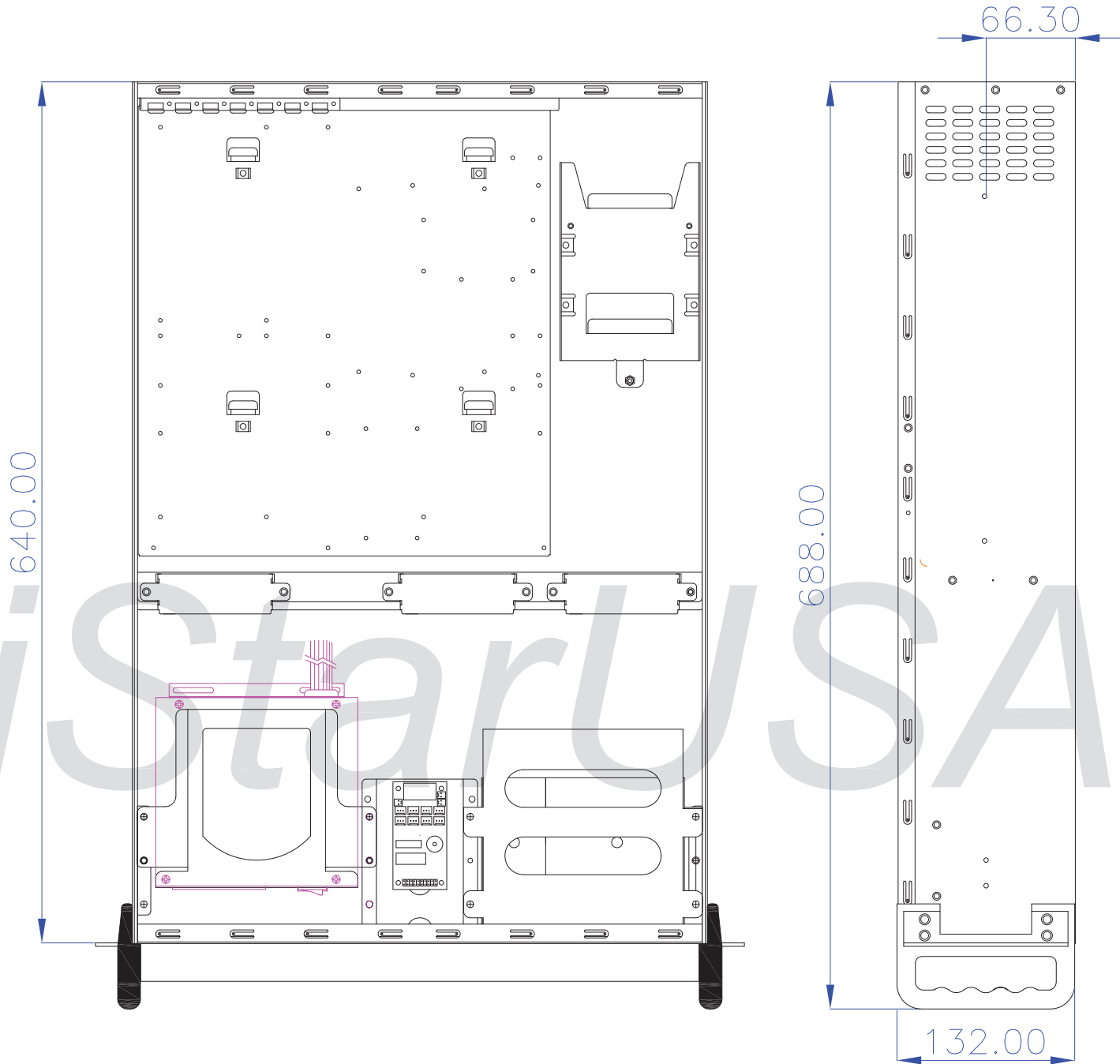


1

2

2

3



3

4

4

5

5

6

6

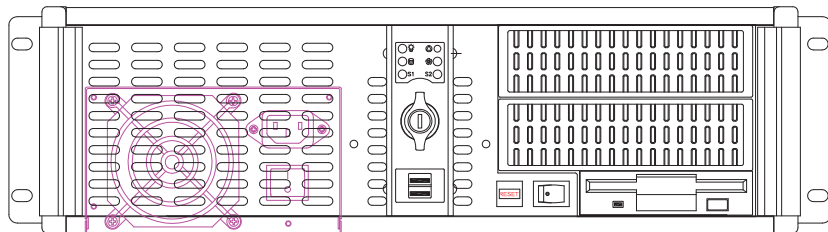
7

7

132.00

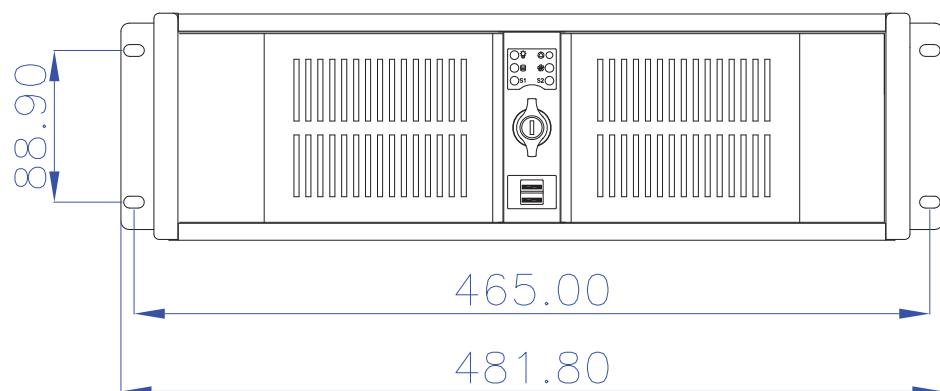
8

8



9

9



10

10

A B C D E F G

Model NO.	D-300L-FS	iStarUSA™			
EXT	5.25" *2 + 3.5" *1	DATE	2009/06/12		
INT	3.5" *5	PROJ			
M/B	12" * 13"	REV NO.	X	SCALE	1:1
SLOT	*7 (L-type)	DRAWN	ANDY	UNIT	mm