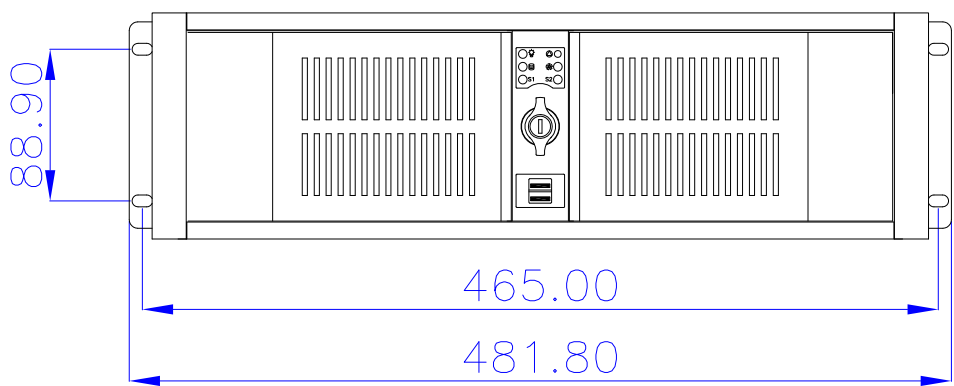
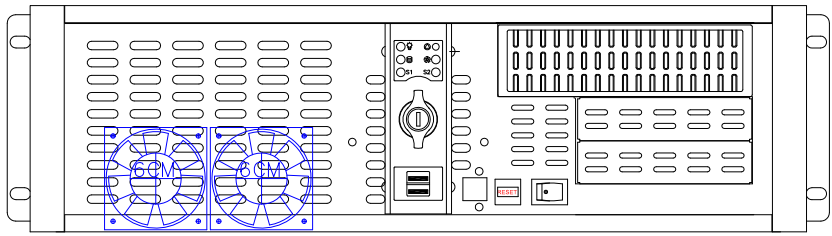
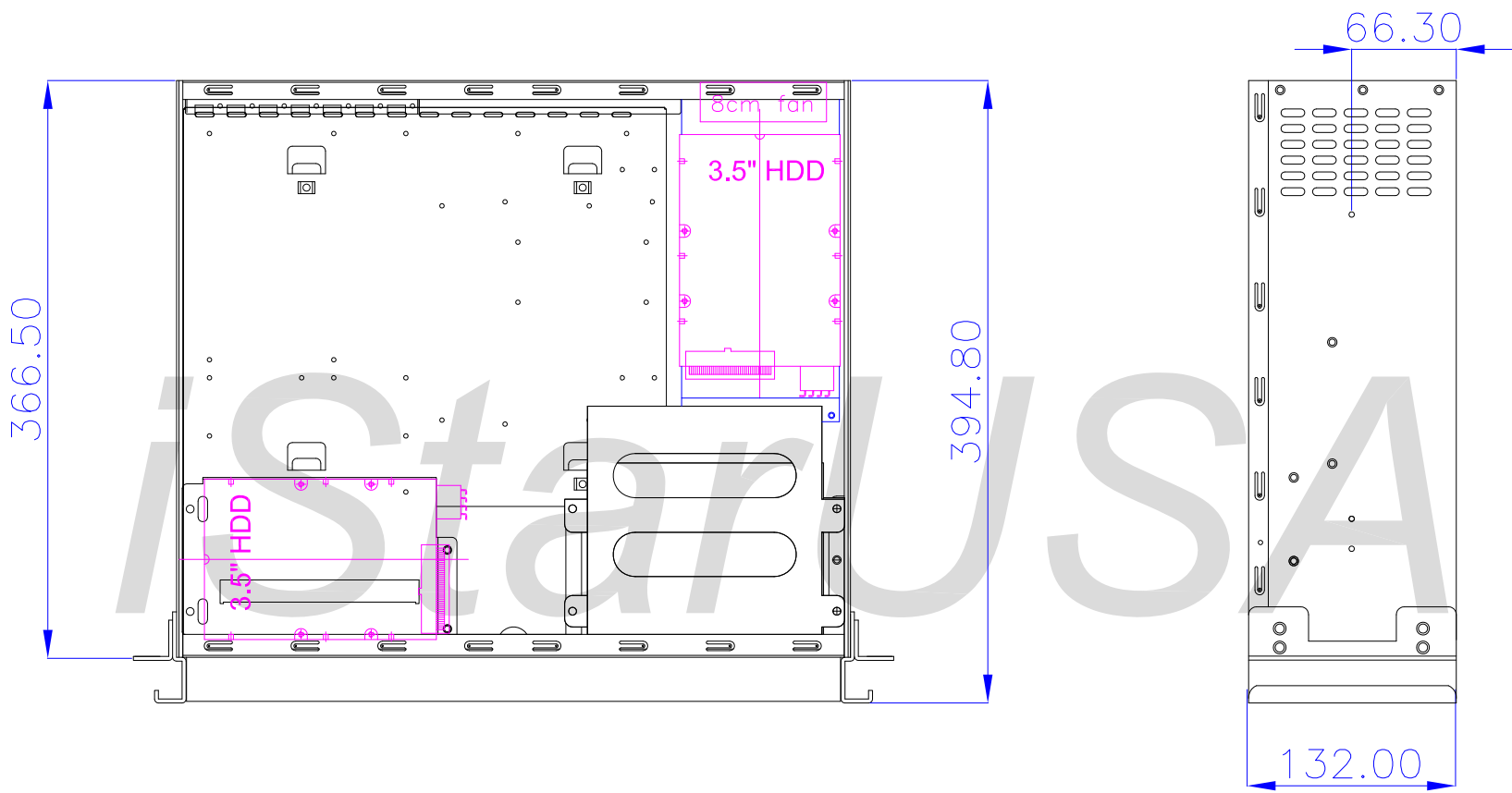
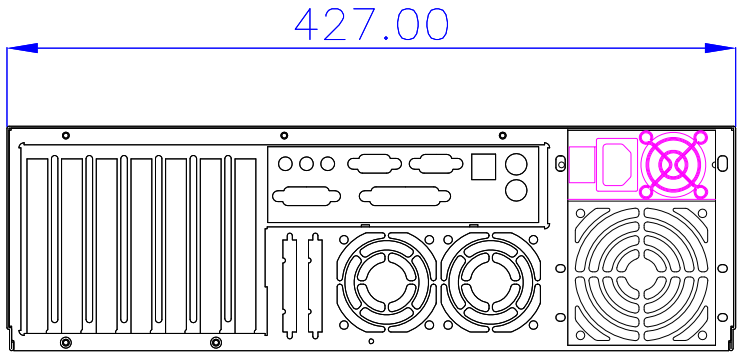


A B C D E F G

1
2
3
4
5
6
7
8
9
10

1
2
3
4
5
6
7
8
9
10



Model NO.	D-300S5	iStarUSA™			
EXT	5.25" *1 + 3.5" *2	DATE	2008/09/10		
INT	3.5" *3	PROJ			
M/B	12" * 9.6"	REV NO.	X	SCALE	1:1
SLOT	*7 (L-type)	DRAWN	ANDY	UNIT	mm

A B C D E F G