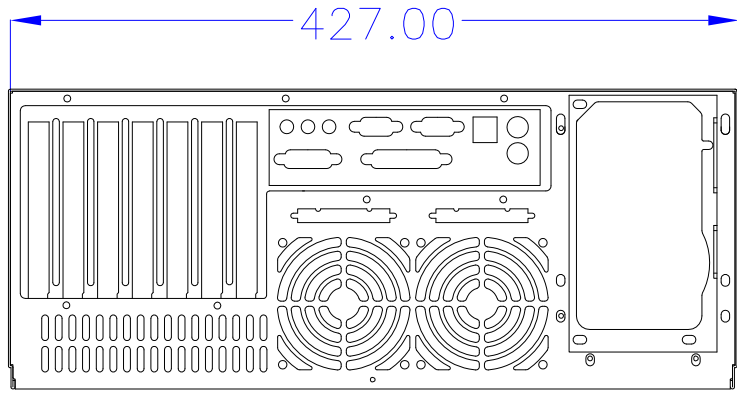


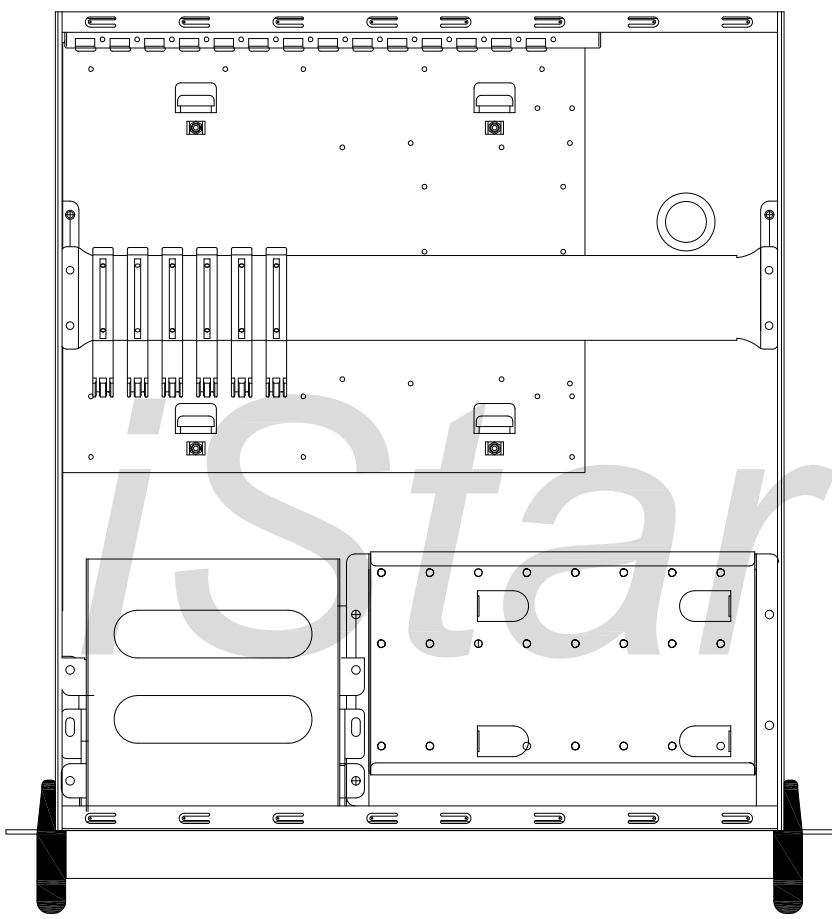
A B C D E F G

1



2

3

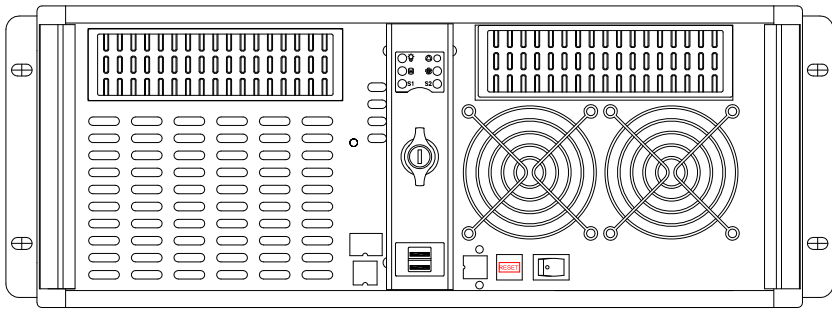


4

5

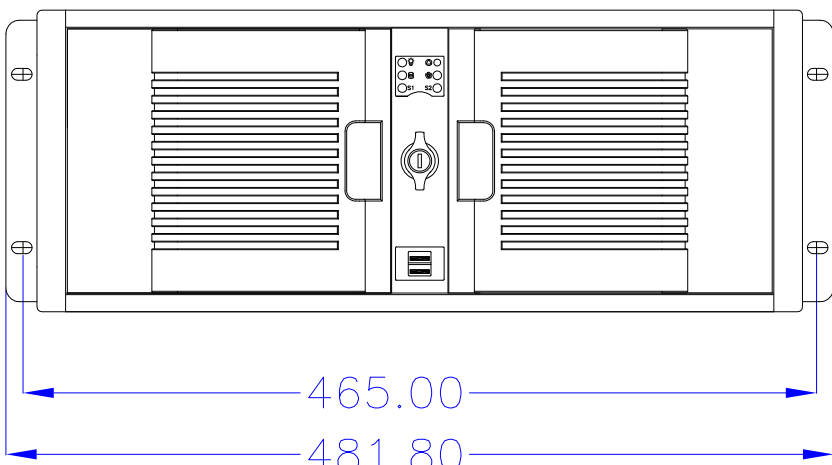
6

7



8

9



10

A B C D E F G

1

2

3

4

5

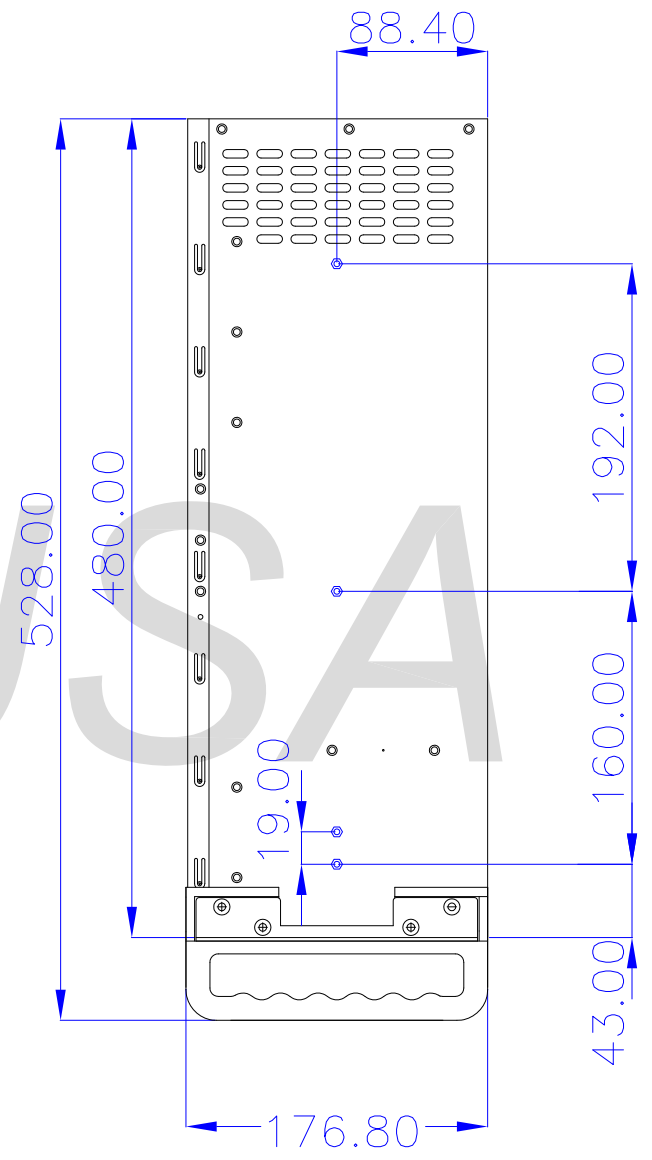
6

7

8

9

10



Model NO.	D-400-2P	iStarUSA			
EXT	5.25" * 2	DATE	2008/09/10		
INT	3.5" * 8	PROJ	⊕		
M/B	12" * 9.6"	REV NO.	X	SCALE	1:1
SLOT	*7 (L-type)	DRAWN	ANDY	UNIT	mm