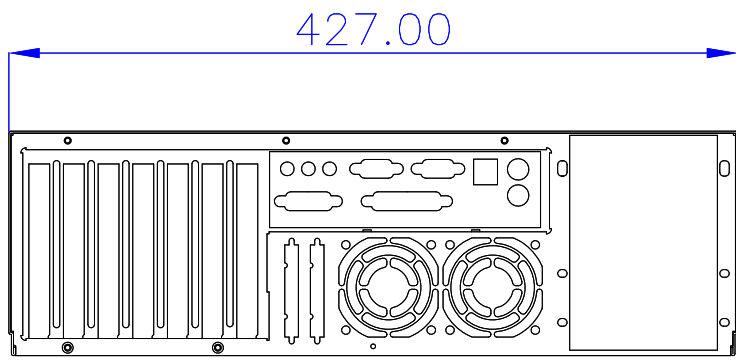


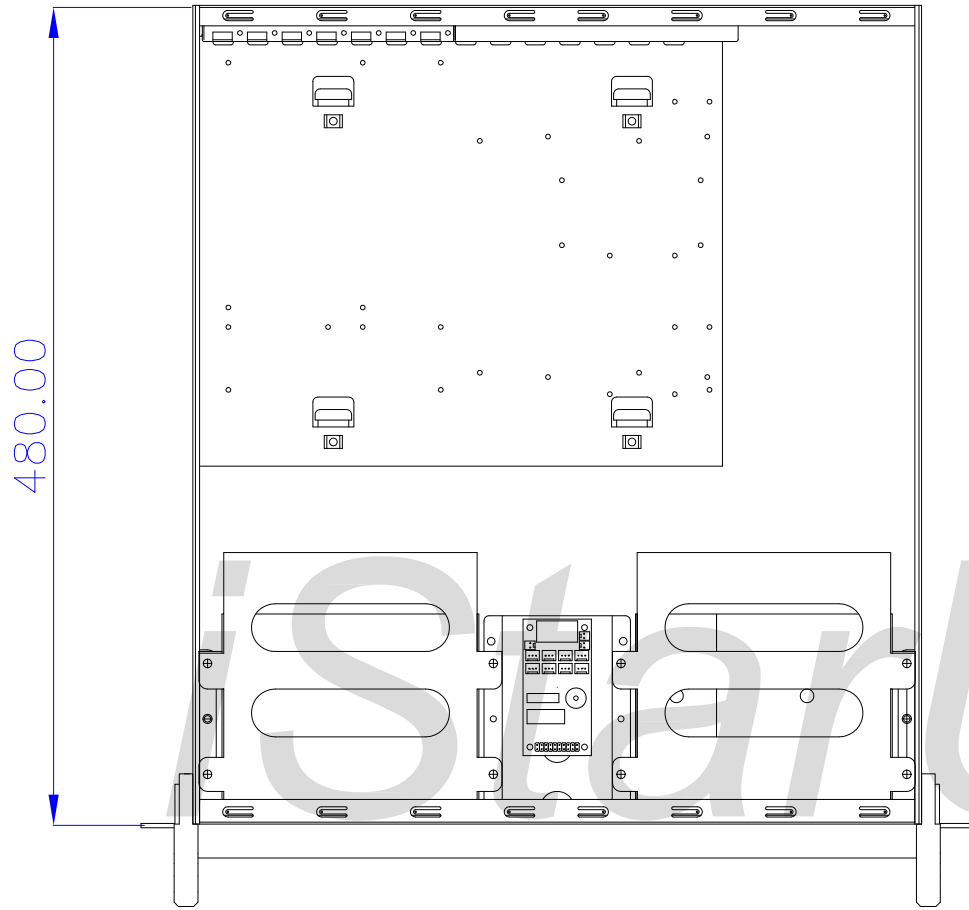
A B C D E F G

1



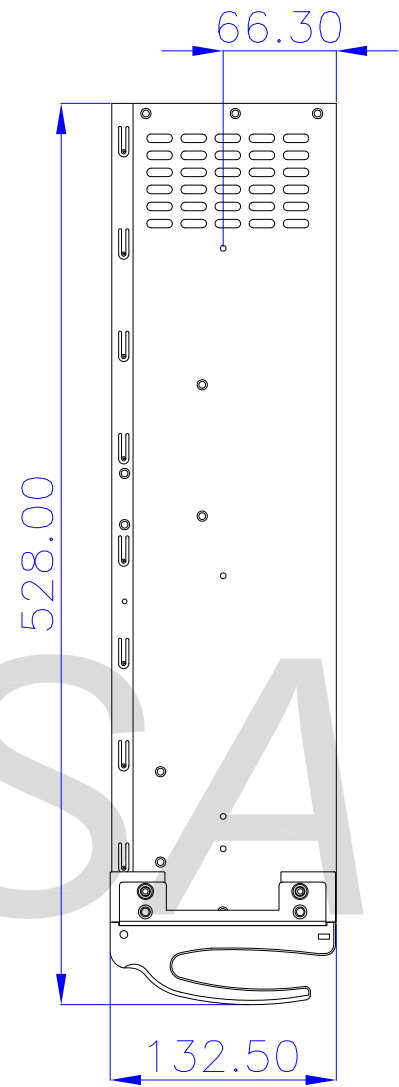
2

3



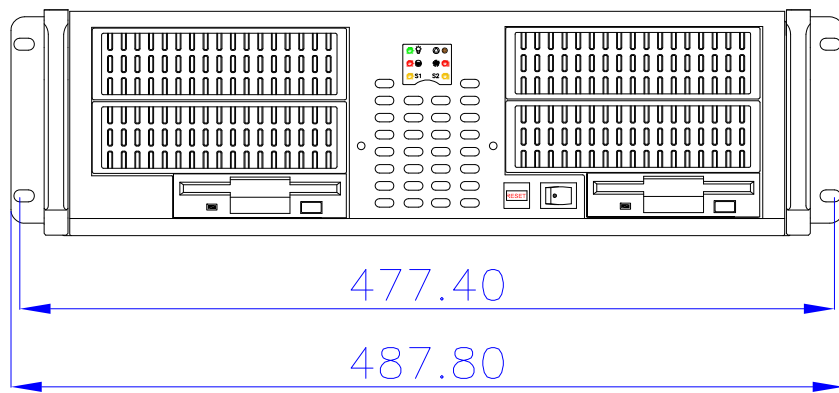
4

5



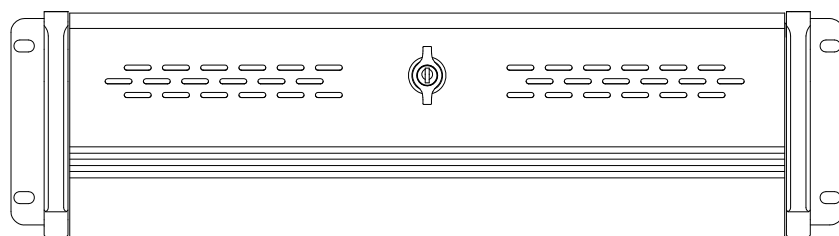
6

7



8

9



10

A B C D E F G

Model NO.	D2-300	iStarUSA™			
EXT	5.25" * 4 + 3.5" * 2	DATE	2008/09/10		
INT	3.5" * 1	PROJ			
M/B	12" * 9.6"	REV NO.	X	SCALE	1:1
SLOT	*7 (L-type)	DRAWN	ANDY	UNIT	mm

1

2

3

4

5

6

7

8

9

10