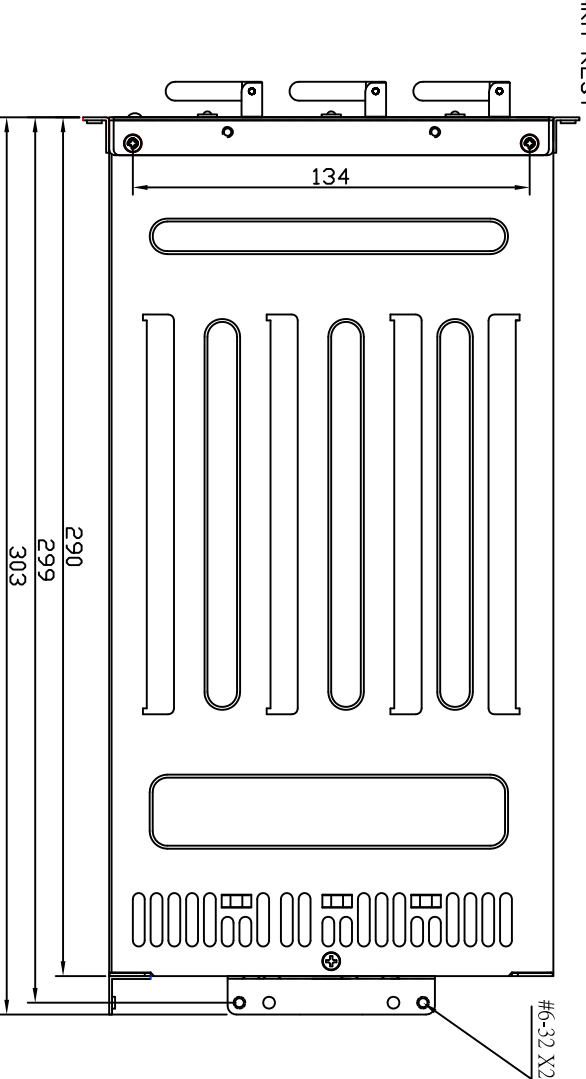
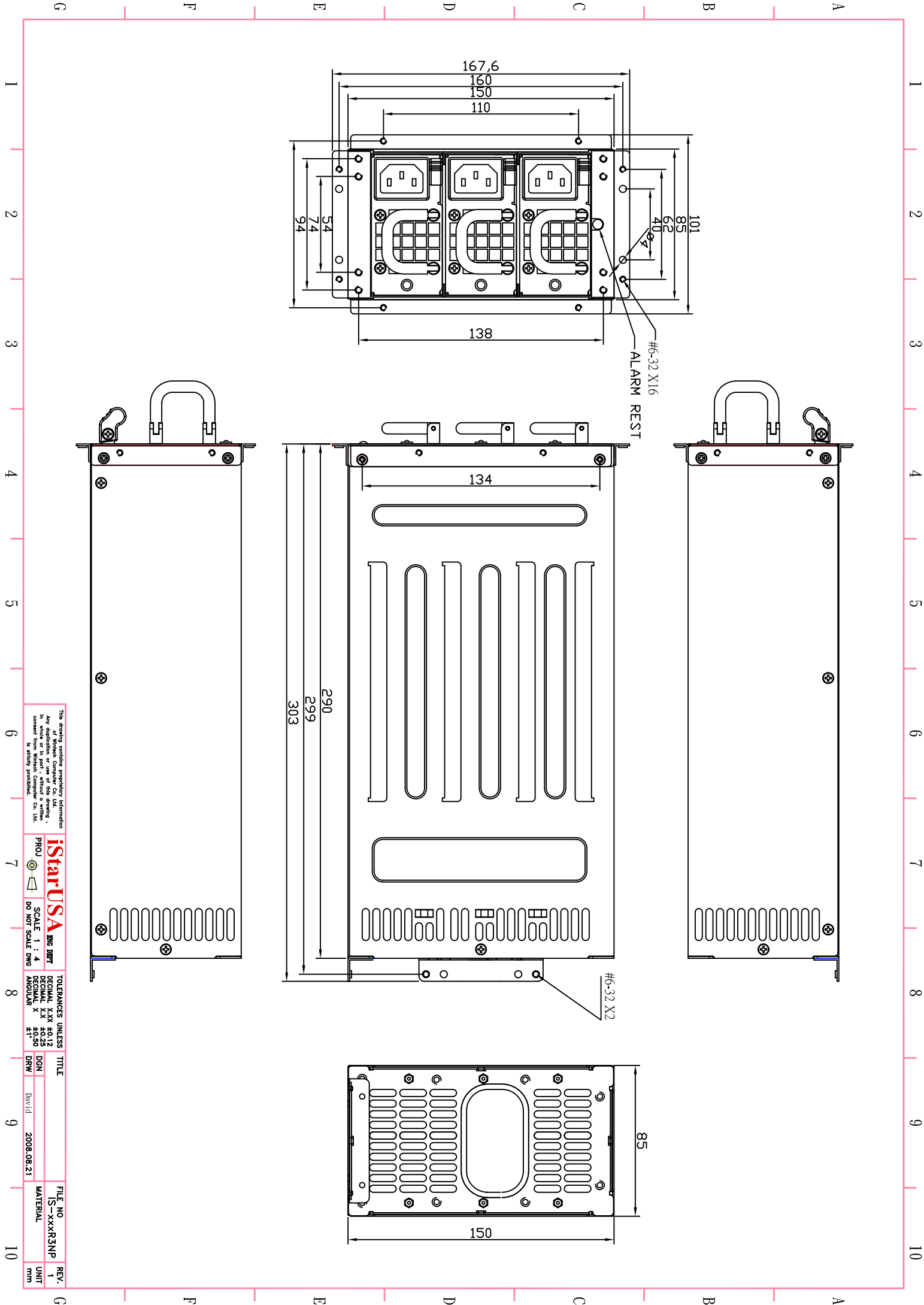
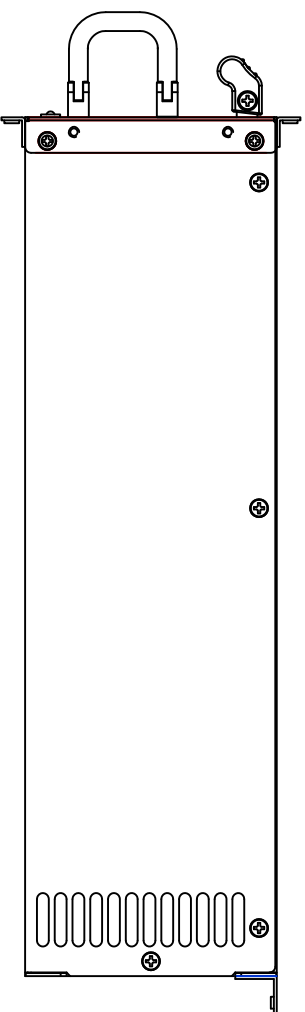
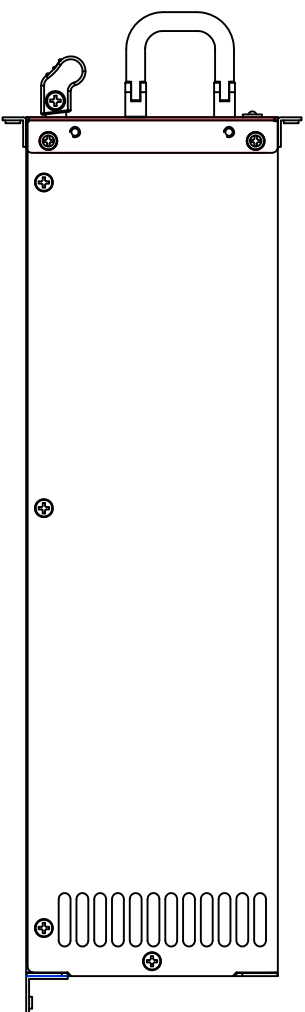
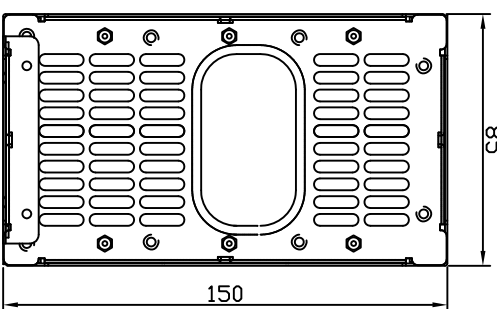


#6-32 X16  
ALARM REST



#6-32 X2



This drawing contains proprietary information  
in whole or in part. Without a written  
consent from Star-USA, Inc., this  
drawing is strictly prohibited.

**Star-USA** ENG 10/07  
PROJ  
SCALE 1 : 4  
DO NOT SCALE DWG

TOLERANCES UNLESS  
DECIMAL .XX ±0.12  
DECIMAL .X ±0.25  
ANGULAR ±1°

FILE NO.	IS-XXXXR3NP
MATERIAL	
REV.	1
UNIT	mm
DATE	2008.08.21
DRW	David