

ADAPTER

EXTERNAL ADAPTER SPECIFICATION

CP-71010-02

CLAYPOWER
C O M P A N Y

1. Electrical Characteristics:

1.1 Input:

Input Range Voltage: 90Vac (min) to 264Vac (max), Power Factor, PF=90% Min

Input Range Frequency: 47Hz (min) to 63Hz (max)

Efficiency: 80% min, at full load and within input voltage 100~240V

Inrush Current: 50A max, at $V_{in} = 230\text{Vac}$

NO Load Pin Consumption: 0.75W max, 240VAC/50HZ ; 0A Load

1.2 Input Protection:

Over-current: Input power is off by a fuse, Fuse ratings 4.0A/250Vac

1.3 Output:

Output Voltage: $24\text{V} \pm 5\%$

Output Current: 0~4.16A

Line Regulation: 1% max

Load Regulation: 5% max

Output Power: 100W, at full load and within input voltage 100~240V

Ripple + Noise: 200mV max, oscilloscope bandwidth=20MHz, 47uF/50V electrolytic and 0.1uF/50V ceramic capacitors are connected at output

Rise Time: 1S max, at $V_{in}=100\text{Vac}/60\text{Hz}$

1.4 Output Protection:

Over-load: No odor, smoke, fire, plastic deformation, and excessive heat happen.
Increase load current gradually until the output is shorted or burst

Short-circuit: No odor, smoke, fire, plastic deformation, and excessive heat happen.
Over the operating temperature range

1.5 Safety Standard:

TUV(EN609501-1)

UL/ Cul (UL60950-1)

CB (IEC60950-1)

1.6 EMC Standard:

EMI: EN55022 & FCC Part 15, Class B

1.7 Others:

Dielectric Withstanding Voltage (Primary to secondary): 1800Vac/5mA/1 minute. The voltage applied to the insulation under test is gradually raised from zero to the prescribed voltage and held at that value for 60s

Leakage Current: $\leq 3.5\text{mA}$ at $V_{in} = 240\text{Vac}/50\text{Hz}$

M.T.B.F: 100,000 Hrs at full load 25°C

2. Mechanical Characteristics:

2.1 Dimensions:

61.6 x 145.6 x 32mm (Width x Depth x Height)

2.2 AC Inlet:

Desk Top, 3 pin, IEC- C14

2.3 Case Material:

NORYL (PC, PC+ABS, or equivalent), 94 V-0

2.4 Cord:

UL1185#18AWG/1800mm, as attachment page 6

2.5 Connector Type

5.5 x 2.5 x 9.5 mm DC Plug, Straight Type

2.6 Connector Polarity:

Inner-Positive, Outer-Negative

2.7 Surface:

Damaged, or rusted surface is not permitted

2.8 Drop Test:

X-Y-Z direction, 1m, one time with each direction. After test, unit is not broken, disassembled, or damaged to access hazardous parts

2.9 Vibration Test:

Frequency=10-55-10Hz, Amplitude 1.5mm, X-Y-Z direction, 30 minutes each direction. Under non-operating status, meet specification after test

2.10 Strain Relief Bend Test:

200gw, total 120 degree, 500 times, Meet specification after test

2.11 Strain Relief Pull Test:

Force 9Kgw, 1 minute, Meet specification after test

2.12 Cord Pull Test:

Force 9Kgw, 1 minute, Meet specification after test

2.13 Color:

Black, Fine texture

3. Environmental Characteristics:

3.1 Storage Temperature Range:

-20 to +60°C

3.2 Operating Temperature Range:

0° to +40°C

3.3 Storage RH Range:

5 to 95%, RH: Relative Humidity

3.4 Operating RH Range:

20 to 90%

3.5 Burn-in:

40±5°C, 4 hours, Each unit before shipping, full load at Vin=220Vac

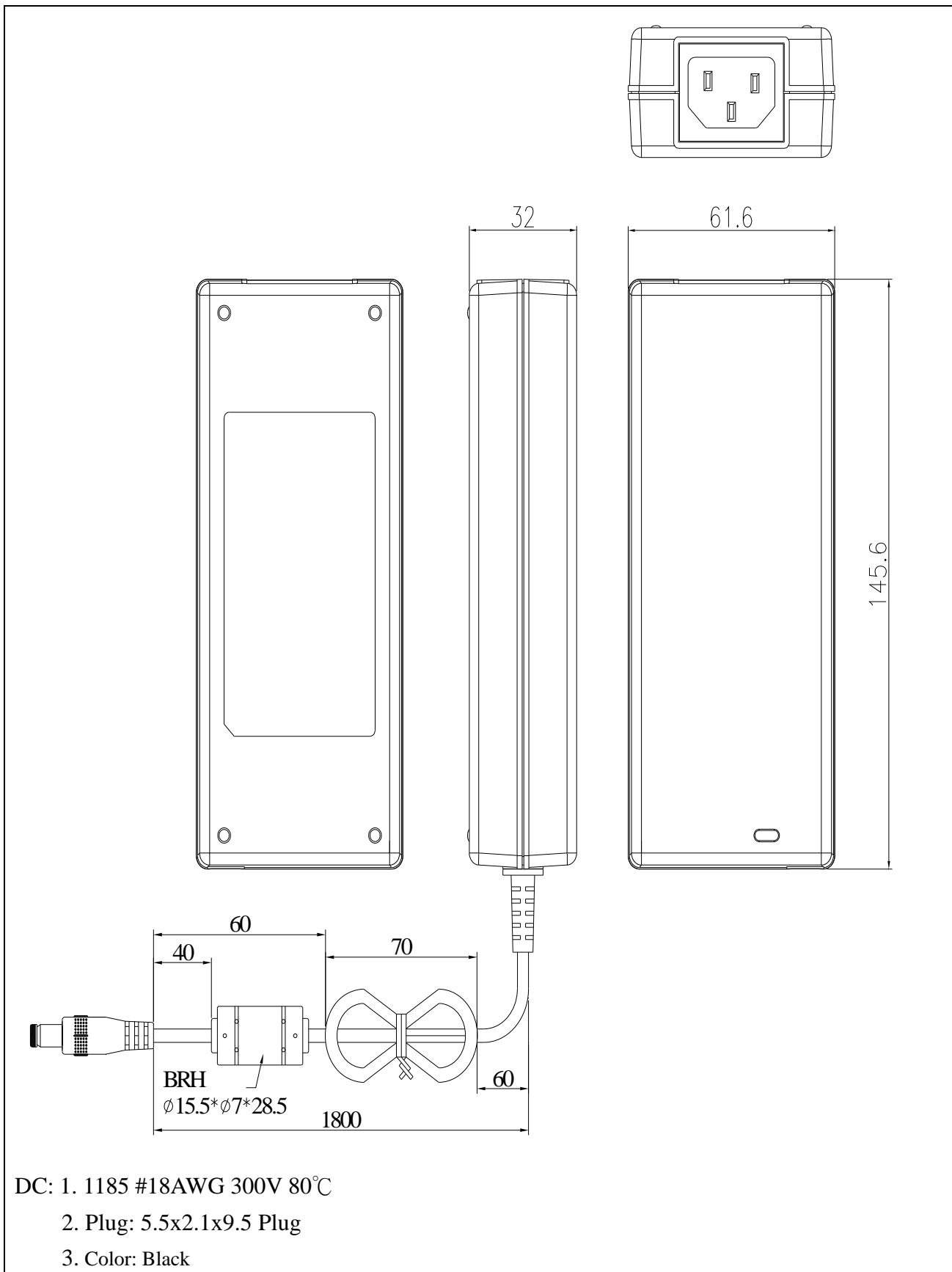
User's Manual/Bedienungsanleitung

MODEL NO: CP-71010-02

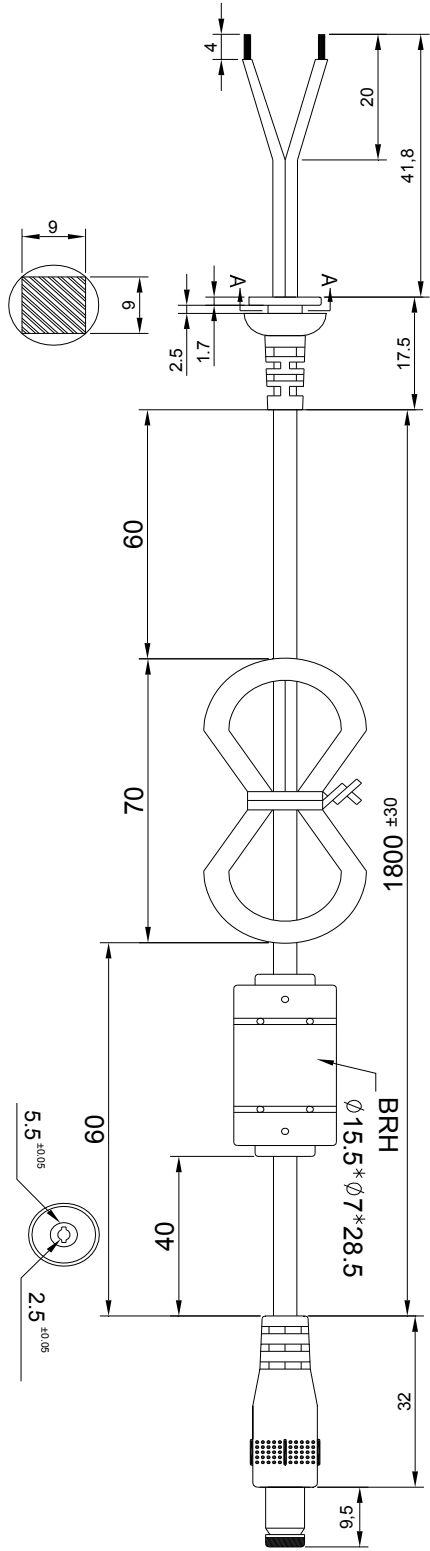
1. Das Netzteil ist für den Betrieb mit Einrichtungen nach EN 60950-1 konzipiert
The power supply is for use with equipment according to IEC/EN 60950-1
2. Das Netzteil ist nur für den Betrieb in trockenen Räumen geeignet
The power supply is for indoor use in dry locations
3. Der Steckdose soll nah zum Gerät eingebaut werden und einfach zu erreichen sein
The socket-outlet shall be installed near the equipment and shall be easily accessible
4. Dieses Gerät kann bis zu einer Umgebungstemperatur von maximal 40°C betrieben werden
Operate the power supply only on maximum ambient temperature 40 °C, without any cover
5. Zum Netzanschluss eines Gerätes bis zu 3kg mit einem Nenneingangsstrom <6A ist eine zugelassene Leitung nicht leichter als H03VV-F oder H03VVH2-F2, 0.75mm², 2X zu benutzen
For the supply connection of equipment up to 3kg with a rated input current < 6A an approval power cord not below 227 IEC 52, 0.75mm², 2X should be used
6. Eine beschädigte Anschlußleitung kann nicht ersetzt werden. Das Netzteil darf nicht mehr betrieben werden
The power supply is not to be repaired and do not to be used any longer if it is damaged or defective
7. Ausgangspolarität
Output polarity:



Outline Dimensions (unit: mm)



Outline Dimensions (unit: mm)



A-A SECTION

備注

1>UL 1185,AWG#18*2C L=1800±30mm.

2>PLUG:5.5x2.5x9.5mm,直頭,音叉帶溝.